

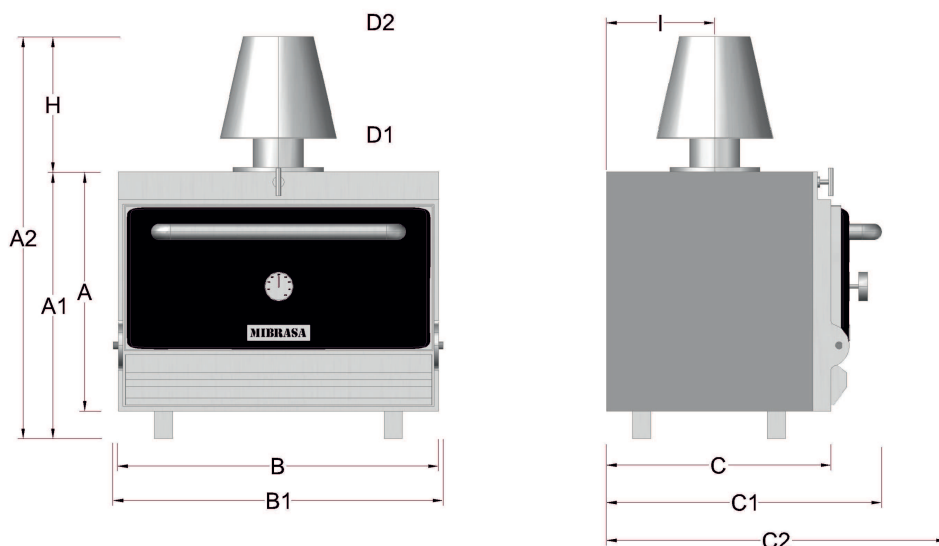


MIBRASA CHARCOAL OVEN HMB MINI

Worktop oven

TECHNICAL INFORMATION	HMB MINI	HMB 75	HMB 110	HMB 160
Diners*	35	75	110	160
Fire up time* (min)	20	25	30	35
Cooking temperature (°F)	482-662	482-662	482-662	482-662
Cooking temperature (°C)	250-350	250-350	250-350	250-350
Charcoal consumption* (lb/day)	16	29	40	45
Production* (lb/h)	55	154	220	265
Performance* (h)	8	9	10	10
Useful dimensions of grill (mm)	500 x 350	500 x 600	720 x 600	720 x 800
Equivalent power* (hp)	2,7	4,7	6,7	8
Exhaust rate (ft ³ /s)	24,52	27,47	31,39	34,33

* Approximate data



Modelo	A	A1	A2	B	B1	C	C1	C2	H	I	D1	D2
HMB MINI	520	580	880	700	730	490	610	800	300	200	115	150



INCLUDED ACCESSORIES

- Grill
- Oven tongs
- Charcoal ember poker
- Ash shovel
- Grill brush

OPTIONAL ACCESSORIES

- Extra grill
- Firebreak
- Dissipating filter
- Cookware

OVEN'S DESCRIPTION

The air inlet is controlled by opening or closing the ash collector.



1. Firebreak
2. Pull regulator
(■ Closed / □ Open)
3. Door handle
4. Grills
5. Thermometer
6. Indoor grids
7. Door
8. Grease collector
9. Ash collector