

Item No.:

Qty.:

Project:

EASYFRESH® NEXT L



The propane EasyFresh® Next blast chiller can be customised based on individual needs and includes up to 8 functions and 14 cycles chosen for you by Irinox to preserve the freshness of the products for longer. Easy to use, it allows the parameters of each cycle - temperatures, times and ventilation - to be changed in a few simple steps.

Yield

Rapid cooling (+90°C/+3°C) within 90 min kg 65

Fast freezing (+90°C/-18°C) within 240 min kg 65

*Tests carried out in compliance with the Irinox procedure using 5-cm thick beef.

Capacity

Number of trays: 27 x GN1/1 or 600x400 (H= 20 mm)

Number of trays: 18 x GN1/1 or 600x400 (H= 40 mm)

Number of trays: 13 x GN1/1 or 600x400 (H= 65 mm)

Standard construction details

- Door opening on the left with hinges on the left.
- Patented concealed hinges.
- Full height door with double bevelled side edges.
- Door opening up to 150°.
- Magnetic and slow closing of the door.
- Equipped with 5-chamber gasket designed for high and low temperatures.
- Core probe with 1 detection point with quick screw connector, anti-corrosion, watertight IP67.
- Magnetic flat surface (400x150 mm) to fix the core probe.
- Easy removal and cleaning of the condenser filter thanks to the tilting grill.
- Ergonomic and robust handle made of steel.
- AISI 304 stainless steel internal and external material.
- Built-in air condensation.
- R290 coolant gas.
- MultiRack®, the patented adjustable tray holder that improves air circulation inside the blast chiller.
- 15 pairs of guides included (GN 1/1).
- WI-FI module included for connectivity with FreshCloud®.
- USB port for downloading HACCP reports.

Item No.:

Qty.:

Project:

Operation

2 available configurations:

Essential. This is the basic configuration that includes the most popular blast chiller functions: rapid cooling, fast freezing, cold storage, non-stop cooling and freezing, and defrosting. Regardless of the temperature at which the product is introduced, it always guarantees excellent results in terms of quality and temperature uniformity inside the cell.

Excellence. The multi-function configuration including 8 functions. In addition to the cold functions, in the Essential configuration you will find: defrosting, marinating, ice cream reconstitution.

- EasyFresh® Next's cooling cycles lower to +3°C the core temperature of the food, introduced at any temperature, even as soon as it is out of the oven, and quickly cross the band of maximum bacterial proliferation, the cause of its natural ageing.
- The EasyFresh® Next's freezing cycles transform the water contained in food into microcrystals that preserve its structure and quality for longer.
- At the start of the cycle, the operator can choose whether to use the core probe (automatic mode) or to work in time mode (manual mode).
- The non-stop cycles continuously cool or freeze to the desired temperature quantities of food that are prepared and placed in the blast chiller in succession. Set a notification when the chosen temperature or cycle time is reached.
- The cold storage cycles allow the blast chiller to be transformed into an additional space for storage at the desired temperature for short periods of time.
- The defrost cycle allows to choose the temperature and time at which your food is defrosted and ready for use, slowing down the bacterial growth process.
- The marinating cycles allow to set the time and temperature for marinating products, enhancing the flavour, tenderness and juiciness of meat and fish.
- The ice cream reconstitution cycle allows to quickly bring the ice cream to display temperature in the shop window, ready for sale.
- The defrost cycle removes ice and excess condensation. It has an adjustable duration of 30 minutes and must be run at the end of the day or after intensive use with a high number of door openings.

Performance

EasyFresh® Next guarantees a cooling and freezing capacity of 65 kg, thanks to the new dual-circuit propane refrigeration system.

In the Essential configuration, performance is ensured by two independent circuits with reciprocating compressor, ventilated evaporator and a single-speed condenser fan.

In the Excellence configuration, the blast chiller uses 5-speed "EC" electronic evaporator fans.

Thanks to its climate class 5 design, the blast chiller guarantees the stated performance up to an ambient temperature of 40°C.

Interface

4.3" display with capacitive colour screen. With acoustic signal with adjustable intensity and fixed tone.

The operator has the possibility of customizing and/or creating new cycles, which are stored in the library.

Connectivity

FreshCloud® is Irinox's IOT technology that allows to control and interact with EasyFresh® Next at any time via an APP.

The functions included in the application are:

- Remote monitoring of the cycle in progress: connection status, cell temperature, core temperature, kitchen and machine name, cycle ID in progress, cycle and phase progress.
- Remote parameter modification (ventilation, cabinet temperature, core probe temperature, phase duration, cycle management).
- Machine status monitoring: connection status, machine ID, laboratory name, serial number, door status, Sanigen® level.
- Usage statistics viewing.
- Haccp report download.
- Software update.

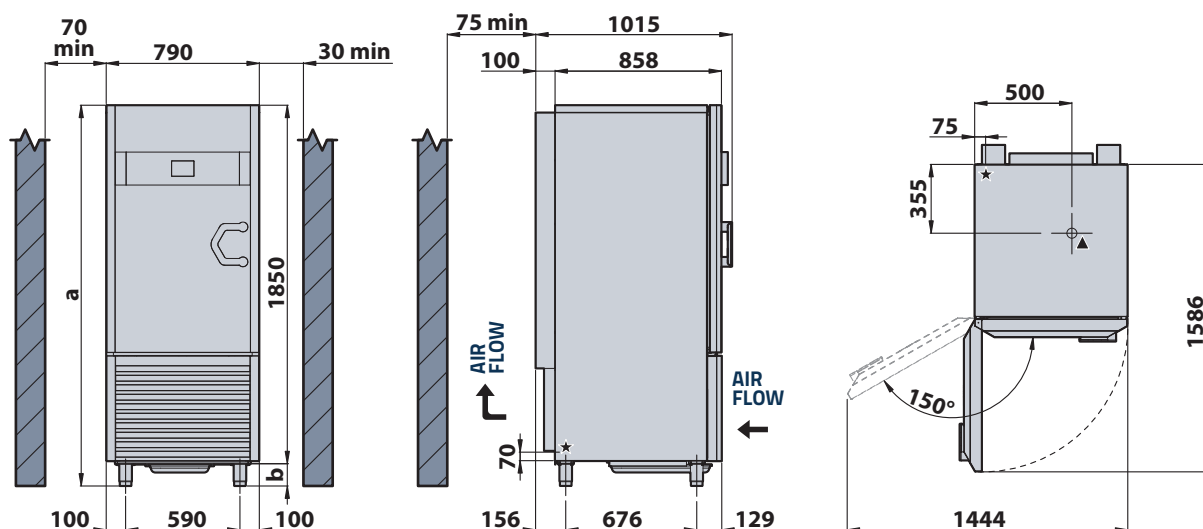
Optional

- Door opening on the right with hinges on the right.
- Adjustable lowered feet H = 80 - 115 mm.
- 4 wheels, 2 of which with brake.
- Sanigen® (Irinox patented sanitization system).
- Pair of additional GN1/1 and 600x400 mm guides.
- Special voltages on request.
- 1 point vacuum probe.
- Unit sent without gas charge.

Product warranty

- 12 months from the date of receipt of the equipment; 24 months from the date of installation, subject to completion and submission of the installation report on FreshCloud®. For more details, see the sales conditions available at www.irinoxprofessional.com.

EASYFRESH® NEXT L



HEIGHT

		a	b
Standard feet	mm	1965 ± 2015	115 ± 165
Lowered feet option	mm	1930 ± 1965	80 ± 115
Wheel options	mm	2005	155

Measures in millimetres

★ Main power cable

▲ Water drainage (corrugated hose Ø32mm)

TECHNICAL SPECIFICATIONS

Power supply		400V-3N+PE 50Hz		400V-3N+PE 60Hz		230-3+PE 60Hz		200V-3 50/60Hz
		ESSENTIAL	EXCELLENCE	ESSENTIAL	EXCELLENCE	ESSENTIAL	EXCELLENCE	ESSENTIAL
PERFORMANCE								
Rated cooling power	W	3520	3400	4136	4016	4163	4316	4136
Rated cooling current	A	8.5	10	10	11.5	18.7	20	18.7
Rated heating power	W	-	2400	-	2400	-	2400	-
Rated heating current	A	-	10.8	-	10.7	-	10.7	-
Power cable section	mm ²	5G1.5		5G1.5		4G4		4G4
Cooling capacity (-10/+40°C)	W	5128		6168		6168		6168
Condenser power output (-10/+40°C)	W	7616		9192		9192		9192
Minimum ventilation air flow	m ³ /h	3695		4300		4300		4300
Coolant	-	R290 -150g x 2		R290 -150g x 2		R290 -150g x 2		R290 -150g x 2
Climate class (according to EN23953-2)	-	5 (40°C)		5 (40°C)		5 (40°C)		5 (40°C)
Internal cell of dimensions (W x D x H)	mm	650 x 420 x H1170		650 x 420 x H1170		650 x 420 x H1170		650 x 420 x H1170
Equipment weight	kg	205		205		205		205

INSTALLATION

The blast chiller must be installed following and complying with what is stated in the appropriate installation manual. The contents of the manual must be carefully followed to ensure correct operation and to protect the user's rights under the warranty.

Continuous product development may require changes to specifications without notice.

Irinox SpA

Headquarter: Via Caduti nei Lager 1 - 31015- Conegliano (TV) Italy

Productive Site: Via Mattei, 20 - 31029 - Vittorio Veneto (TV) Italy

Tel. +39 0438 2020 | irinox@irinox.com | www.irinoxprofessional.com