

# Apach

## COOK *line*

Catalogo parti di ricambio valido  
dalla matricola 0000001 (31.10.2006) ad oggi (17.02.2023)

Catalogue pieces detachees  
valable à partir du numero de Série n. 0000001 (31.10.2006) jusqu'à aujourd'hui  
(17.02.2023)

Ersatzteilkatalog  
gültig ab Serien-Nr. 0000001 (31.10.2006) bis heute (17.02.2023)

Spare parts catalogue  
valid from serial no. 0000001 (31.10.2006) up today (17.02.2023)

Catálogo de peças de reposição  
válido do número de série 0000001 (31.10.2006) até hoje (17.02.2023)

Le informazioni sono considerate non vincolanti. Le immagini rappresentate sono puramente indicative. Il produttore si riserva il diritto di apportare modifiche in qualsiasi momento senza preavviso.

Les informations données ne sont pas contraignantes. Les images montrées sont à titre indicatif. Le producteur se réserve le droit d'apporter des modifications sans préavis.

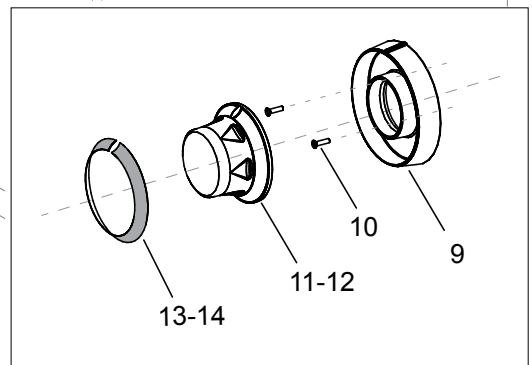
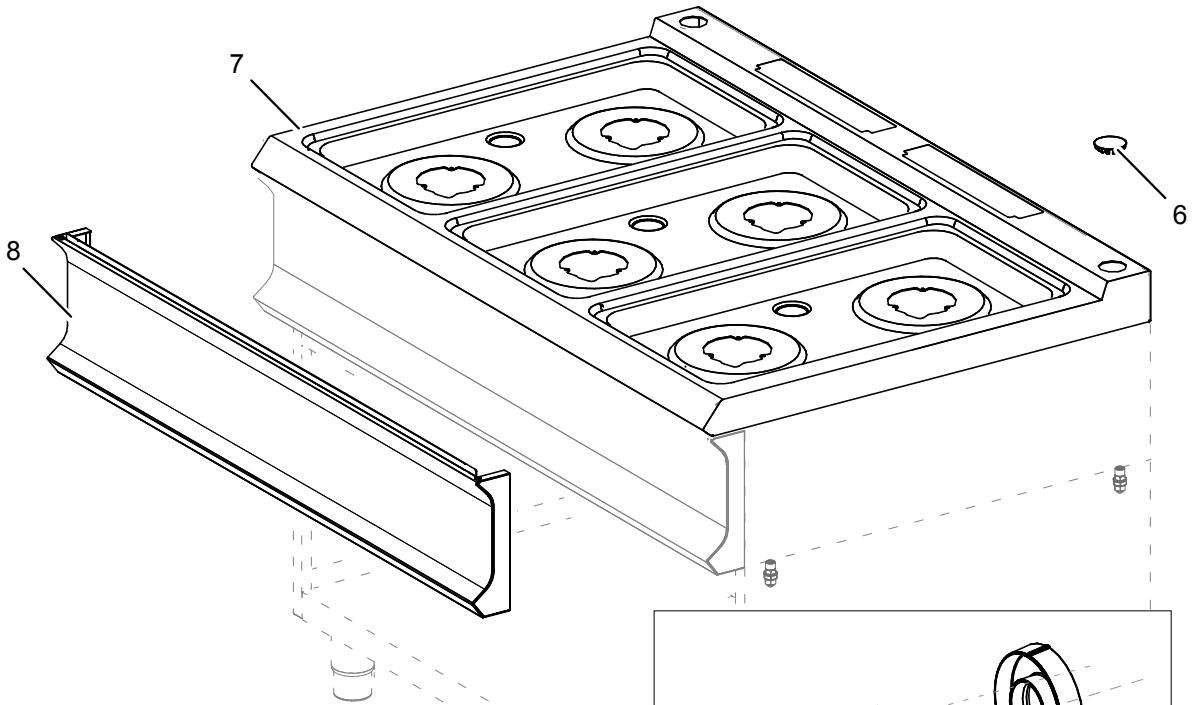
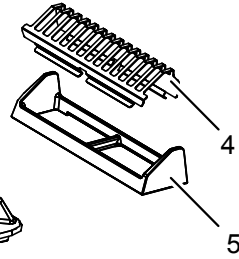
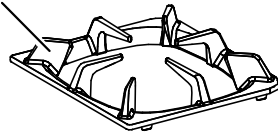
Die im vorliegenden Dokument aufgeführten Informationen und Bilder sind unverbindlich. Der Hersteller behält sich das Recht vor, jederzeit ohne vorherige Ankündigung Änderungen vorzunehmen

Info and drawing could be slightly different from reality and they cannot be considered as compelling. Manufacturer can modify info anytime without forewarning.

As Informações e desenhoS podem estar um pouco diferente da realidade e são puramente indicativas. O fabricante pode modificar estas informações a qualquer momento sem aviso prévio.

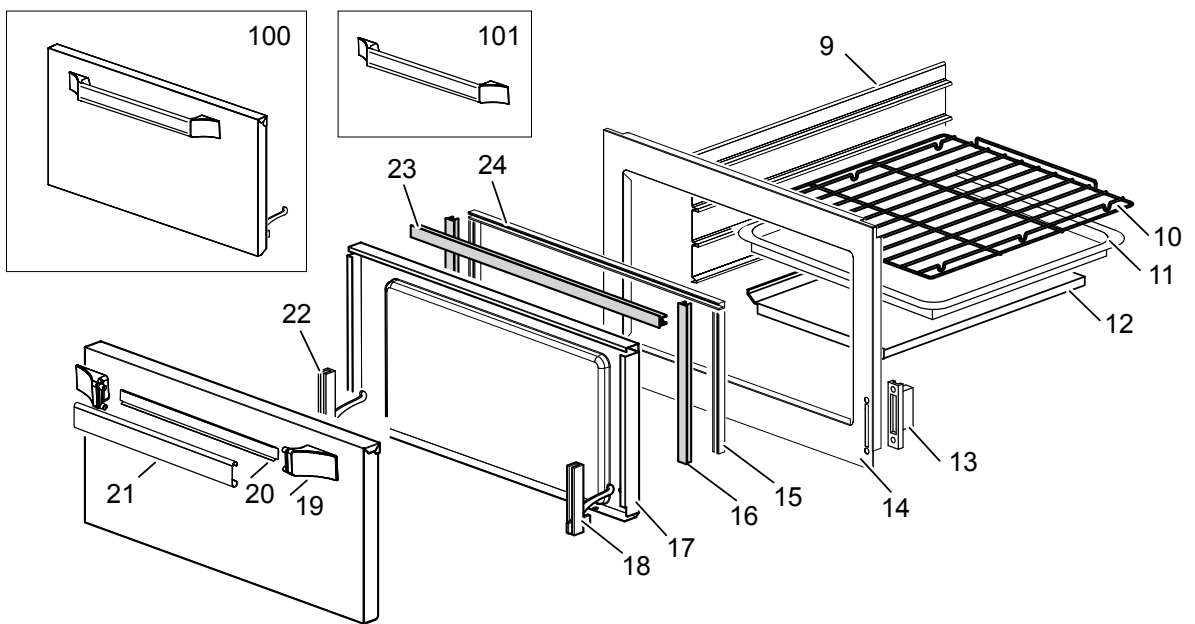
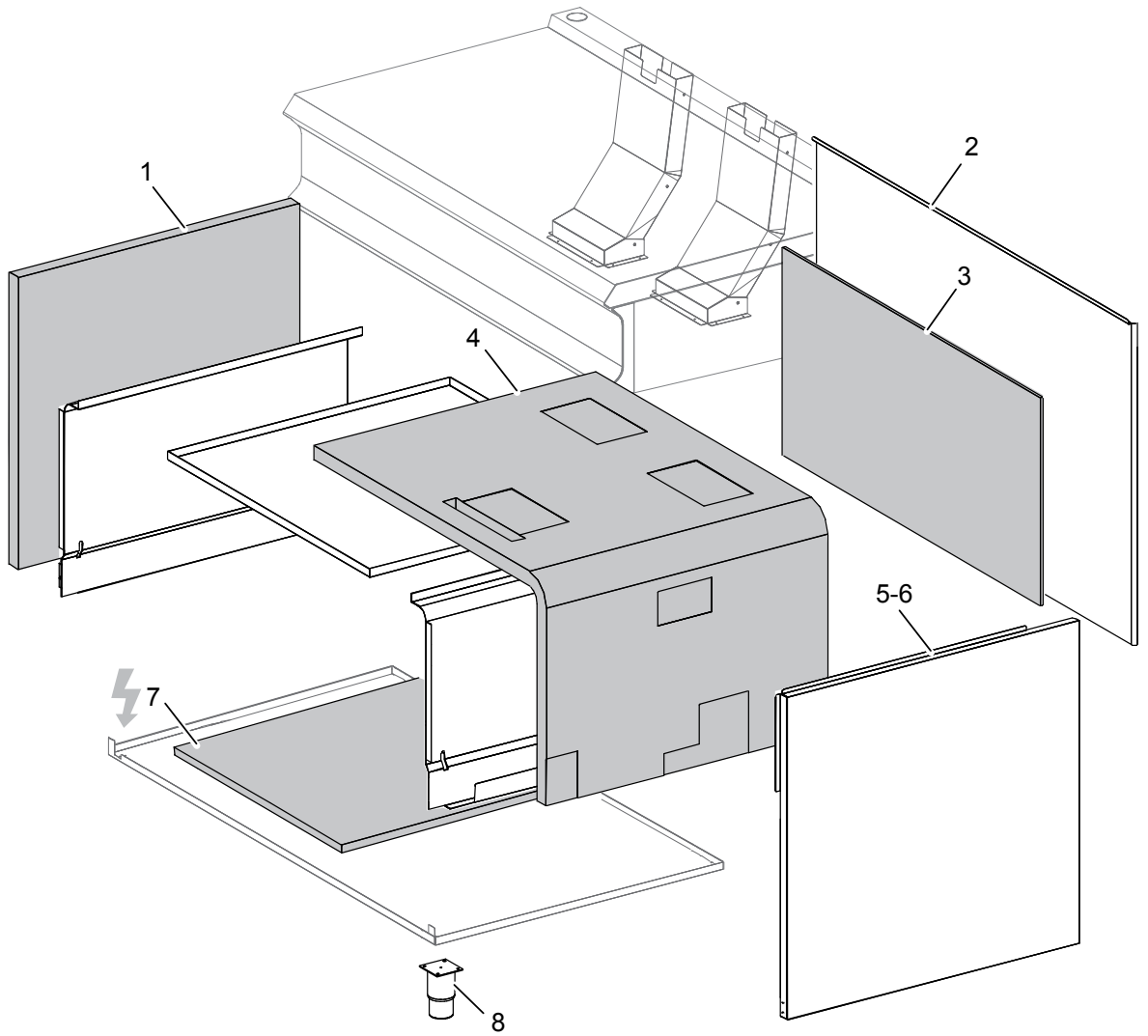


1-2-3

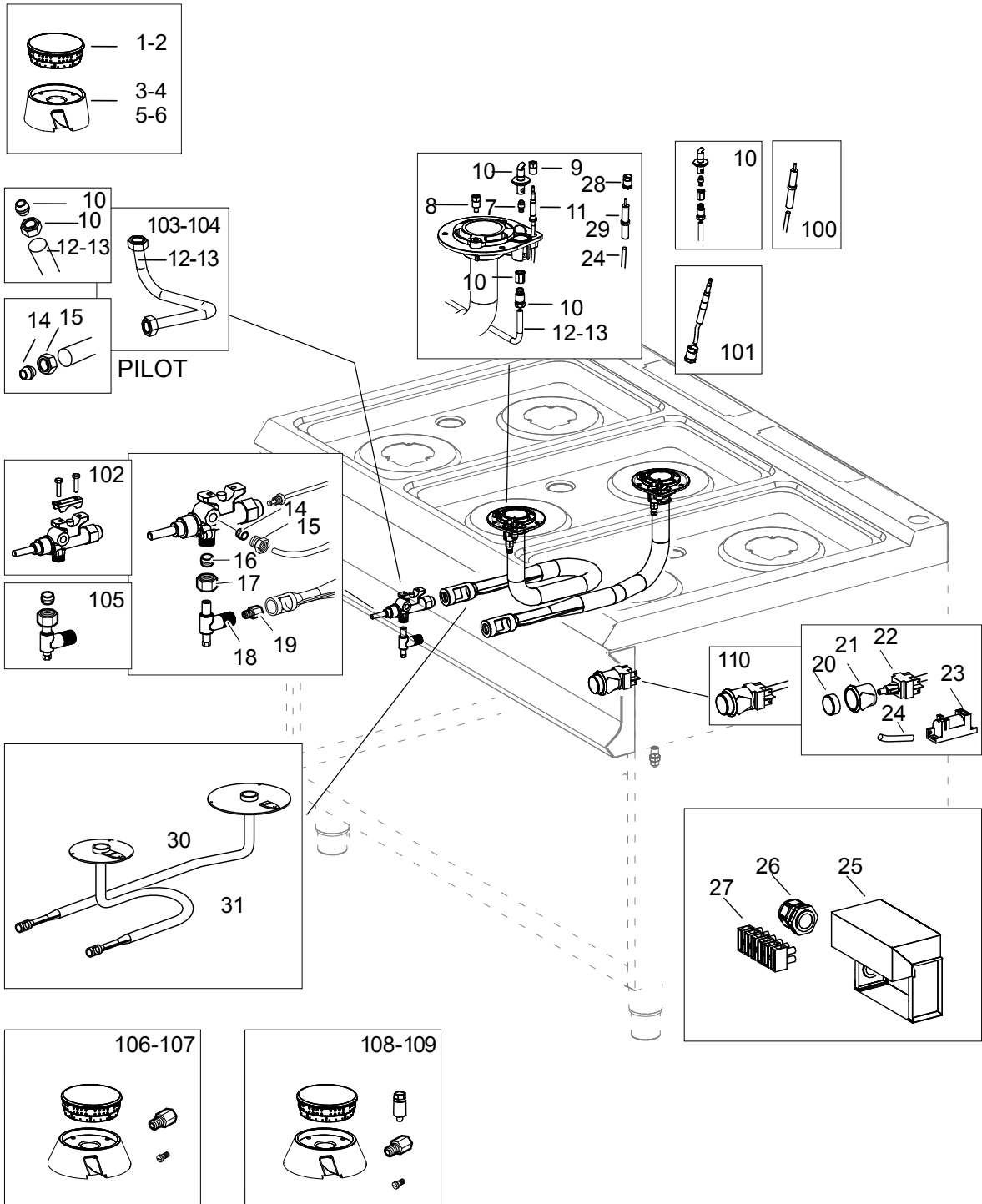


1

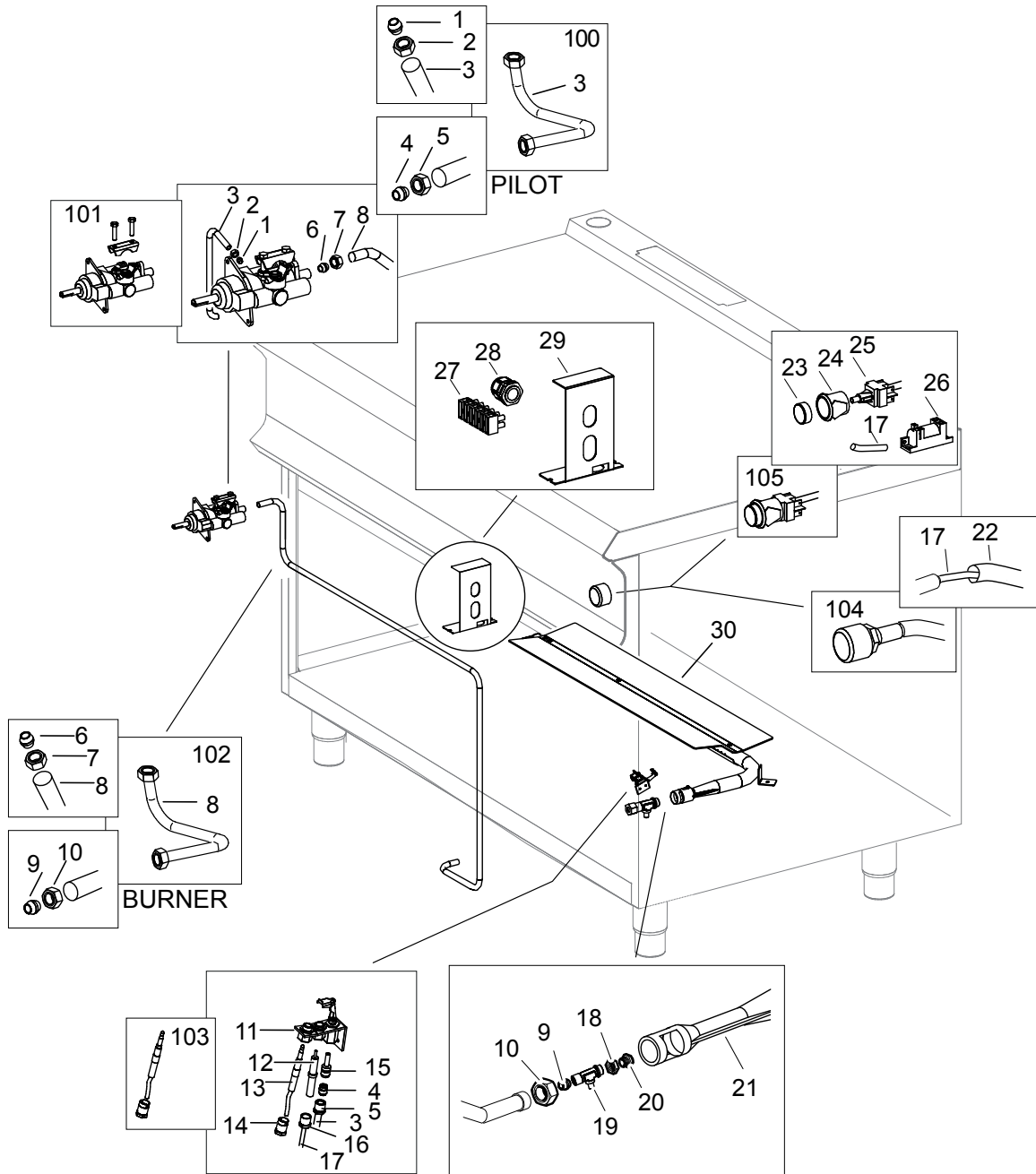
| <b>Nr.</b> | <b>Code</b> | <b>Title</b>                         | <b>Recommended</b> |
|------------|-------------|--------------------------------------|--------------------|
| 1.         | 185747      | <i>SINGLE CAST IRON GRID</i>         |                    |
| 4.         | 202046      | <i>CHIMNEY GRILL</i>                 |                    |
| 6.         | 200787      | <i>STOPPER</i>                       |                    |
| 7.         | 204073      | <i>WORK PLANE</i>                    |                    |
| 8.         | 204075      | <i>CONTROL PANEL</i>                 |                    |
| 11.        | 202201      | <i>BURNER KNOB</i>                   |                    |
| 13.        | 200160      | <i>KNOB RING</i>                     |                    |
| 14.        | 200482      | <i>OVEN RING</i>                     |                    |
| 100.       | ECS9044     | <i>RECOMMENDED PARTS FOR FB98FGM</i> |                    |



| <b>Nr.</b> | <b>Code</b> | <b>Title</b>                 | <b>Recommended</b> |
|------------|-------------|------------------------------|--------------------|
| 1.         | 180413      | UPPER RIGHT INSULATING PANEL |                    |
| 2.         | 202401      | REAR HIGH                    |                    |
| 3.         | RTBF800388  | REAR INSULATING PANEL        |                    |
| 4.         | 180413      | UPPER RIGHT INSULATING PANEL |                    |
| 5.         | 201556      | RIGHT SIDE                   |                    |
| 6.         | 201557      | LEFT SIDE                    |                    |
| 8.         | RTCU700277  | FOOT                         |                    |
| 9.         | 179341      | OVEN LATERAL SIDE            |                    |
| 10.        | RTCU900388  | OVEN GRATE                   |                    |
| 11.        | 202490      | OVEN DOOR                    |                    |
| 12.        | 183515      | ENAMELLED OVEN SURFACE       |                    |
| 13.        | RTCU900004  | SUPPORT FOR OVEN HINGE       |                    |
| 14.        | 202494      | FRONT PANEL                  |                    |
| 15.        | 184105      | SIDE SEAL PROFILE            | ✓                  |
| 16.        | 163888      | LATERAL GASKET FOR OVEN DOOR | ✓                  |
| 17.        | 202491      | OVEN INNER DOOR              |                    |
| 18.        | RTCU900397  | MAXI OVEN LEFT HINGE DOOR    | ✓                  |
| 19.        | 201706      | HANDLE TERMINAL              |                    |
| 21.        | 202059      | HANDLE                       |                    |
| 22.        | RTCU900396  | MAXI OVEN RIGHT HINGE DOOR   | ✓                  |
| 23.        | 166504      | UPPER GASKET FOR OVEN DOOR   | ✓                  |
| 24.        | 184112      | GASKET HOLDER                | ✓                  |
| 100.       | RIC0005150  | OVEN DOOR COMPLETE           |                    |
| 101.       | RIC0005128  | HANDLE OVEN                  |                    |



| <b>Nr.</b> | <b>Code</b>   | <b>Title</b>                       | <b>Recommended</b> |
|------------|---------------|------------------------------------|--------------------|
| 1.         | 185734        | BURNER CAP 7 KW                    | ✓                  |
| 2.         | 185736        | BURNER CAP 11KW                    | ✓                  |
| 3.         | 200656        | BURNER 7KW                         |                    |
| 4.         | 201970        | BURNER 11KW                        |                    |
| 7.         | INIETTORE     | SEE HANDBOOK NOZZLES               |                    |
| 8.         | 185752        | SPACER KIT + SCREW                 | ✓                  |
| 9.         | RTCU700391    | NUT FIXING THERMOCOUPLE            | ✓                  |
| 10.        | 185732        | PILOT BURNER FLEX 2.0              | ✓                  |
| 11.        | RTCU700374    | THERMOCOUPLE                       | ✓                  |
| 12.        | 202464        | FRONT BURNER PILOT PIPE            |                    |
| 13.        | 202463        | BACK BURNER PILOT PIPE             |                    |
| 14.        | RTCU900019    | NUT D.6 HEIGHT 10,5 MM.            | ✓                  |
| 15.        | RTCU900018    | BICONE D.6 MM.6                    | ✓                  |
| 16.        | RTCU900012    | BICONE D.10                        | ✓                  |
| 17.        | RTCU700297    | NUT D.10                           | ✓                  |
| 18.        | 173320        | INJECTOR SUPPORT TOP               | ✓                  |
| 19.        | INIETTORE     | SEE HANDBOOK NOZZLES               |                    |
| 30.        | 201672        | BACK BURNER DISTRIBUTION PIPE      |                    |
| 31.        | 201674        | FRONT BURNER SUPPLY PIPE           |                    |
| 101.       | RTCU700374-00 | KIT THERMOCOUPLE                   | ✓                  |
| 102.       | RIC0004953    | KIT GAS TAP                        | ✓                  |
| 103.       | RIC0005091    | KIT FRONT PILOT PIPE               |                    |
| 104.       | RIC0005092    | KIT REAR PILOT PIPE                |                    |
| 105.       | RIC0004951    | KIT NOZZLE SUPPORT FB77FEXSAE      |                    |
| 107.       | KFB70S        | COMPLETE ENAMELLED BURNER KIT 7KW  |                    |
| 108.       | KFB11S        | COMPLETE ENAMELLED BURNER KIT 11KW | ✓                  |





| <b>Nr.</b> | <b>Code</b>   | <b>Title</b>                    | <b>Recommended</b> |
|------------|---------------|---------------------------------|--------------------|
| 1.         | RTCU900018    | BICONE D.6 MM.6                 | ✓                  |
| 2.         | RTCU900019    | NUT D.6 HEIGHT 10,5 MM.         | ✓                  |
| 3.         | 183304        | OVEN BURNER PILOT PIPE          |                    |
| 4.         | RTCU800183    | BICONE D.6 MM.11                | ✓                  |
| 5.         | RTCU800182    | NUT AC.D.6 BLACK HEIGHT 11 MM.  | ✓                  |
| 11.        | RTCU900005    | LOCK NUT                        | ✓                  |
| 12.        | 162697        | INJECTOR SUPPORT                |                    |
| 13.        | INIETTORE     | SEE HANDBOOK NOZZLES            |                    |
| 14.        | 174076        | OVEN BURNER 9KW                 | ✓                  |
| 15.        | RTCP800034    | 3 WAYS PILOT BURNER             | ✓                  |
| 16.        | RTCP800033    | ROUND SPARK PLUG                | ✓                  |
| 17.        | RTCU900061    | THERMOCOUPLE                    | ✓                  |
| 18.        | RTCP800038    | T/COUPLE AND PILOT PIPE NUT     | ✓                  |
| 19.        | INIETTORE     | SEE HANDBOOK NOZZLES            |                    |
| 20.        | RTCU900215    | SPARK NUT                       | ✓                  |
| 21.        | RTCU700410    | OVEN LIGHTING CABLE             |                    |
| 22.        | 168890        | TRASPARENT SILICON PIPE         |                    |
| 30.        | 174135        | BURNER DEFLECTOR                |                    |
| 100.       | RIC0005099    | KIT OVEN PILOT PIPE             |                    |
| 101.       | RIC0004862    | GAS THERMOSTAT                  | ✓                  |
| 102.       | 183303        | FEEDING PIPE FOR OVEN BURNER    |                    |
| 103.       | RTCU700374-00 | KIT THERMOCOUPLE                | ✓                  |
| 104.       | RIC0004096    | PIEZO IGNITION + LIGHTING CABLE | ✓                  |