

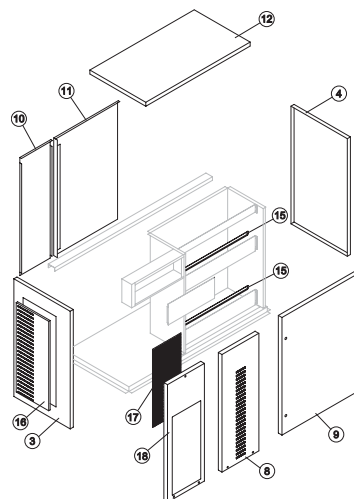
3rd Version

From s/n.213748 up Today

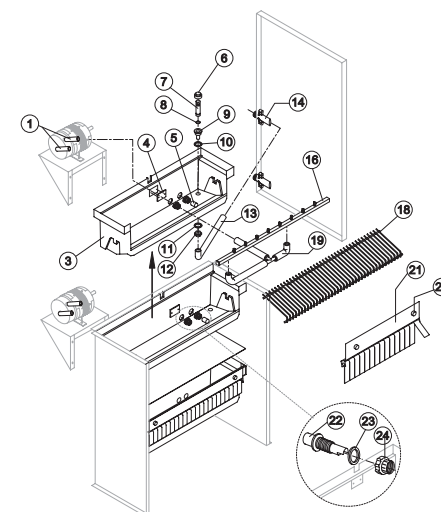


LIST OF THE EXPLODED VIEWS

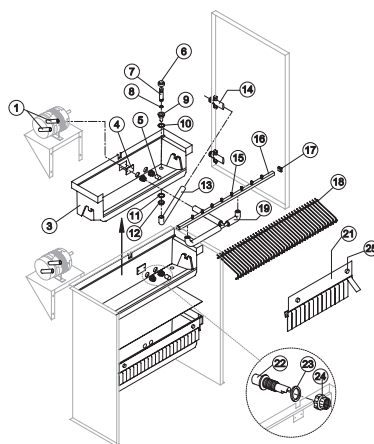
SHELL ASSY



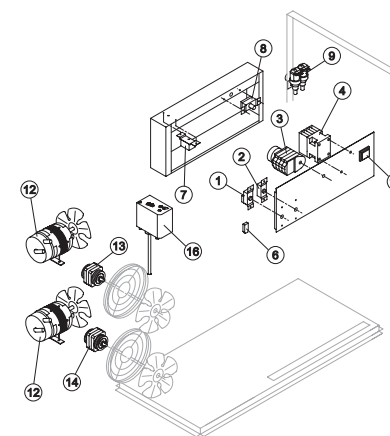
COOLING SYSTEM



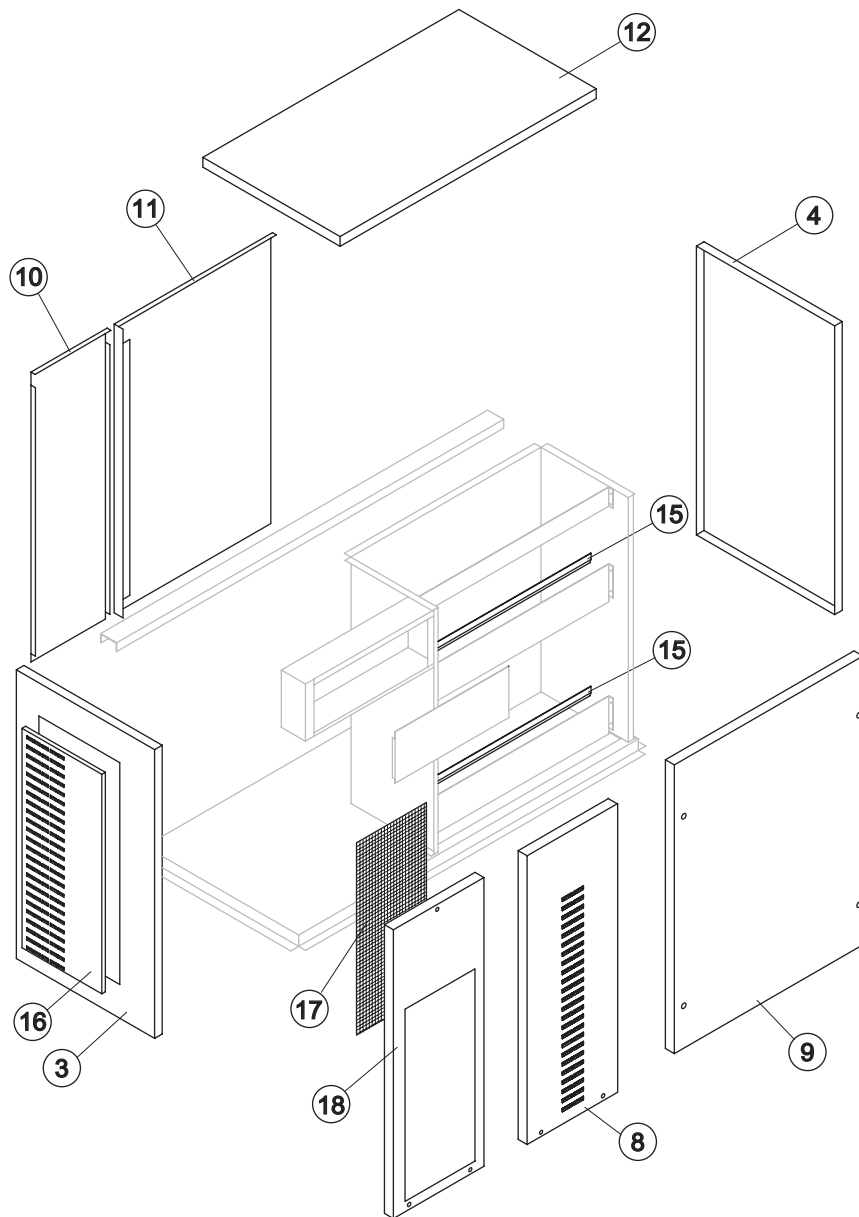
HYDRAULIC CIRCUIT



ELECTRIC PARTS



SHELL ASSY



Rev. 15 - 12/03/2019

Ref.	Spare Description	Code
3	Left Side Panel	22736
4	Right Side Panel	22735
9	Front Panel (Bin Side)	C22744
10	Rear Panel (Group Side)	21288
11	Rear Panel (Bin Side)	21241
12	Top Assy	22738
15	Inner Basin Reinforcement	22740
16	Left Side Panel	22810

Parts for Air-Cooled Version Only

Ref.	Spare Description	Code
17*	Filter	18178
18	Fron Panel (Group Side)	22986

Parts for Water-Cooled Version Only

Ref.	Spare Description	Code
8	Fron Panel (Group Side)	22741

COOLING SYSTEM

Common Parts

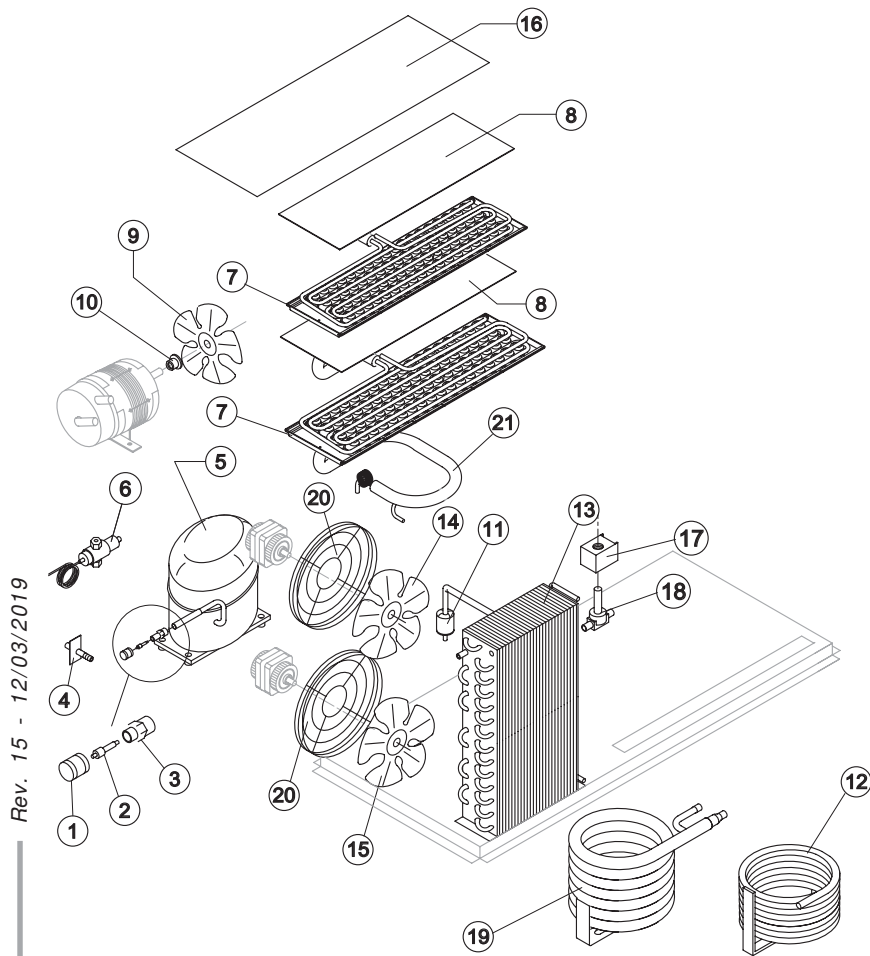
Ref.	Spare Description	Code
5	Compressor	See Table
7	Evaporator	See Table
8	Evaporator Cover Panel	10058
9	Sucking Fan	10213
10	Fan Fixing Hub	10014
11*	Solid Core Drier	14084
16	Upper Evaporator Cover Panel	10439
17*	Hot Gas Valve Coil	231294
18*	Hot Gas Valve Body	20409
21	Suctin Line	for the spare parts code give us the s/n.

Parts for Air-Cooled Version Only

Ref.	Spare Description	Code
13	Air Condenser	20406
14	Sucking Fan 275 / 34°	20153
15	Sucking Fan 275 / 34°	20153
20	Fan Guard	12054

Parts for Water-Cooled Version Only

Ref.	Spare Description	Code
4	Rubber Holder with Plate	Current Version 20938
4	Rubber Holder with Plate	Till s/n. 459880 C20462
6	Pressostatic Valve	20149
12	Water Condenser	Till s/n. 537714 14617
19	Water Condenser	Current Version 14660



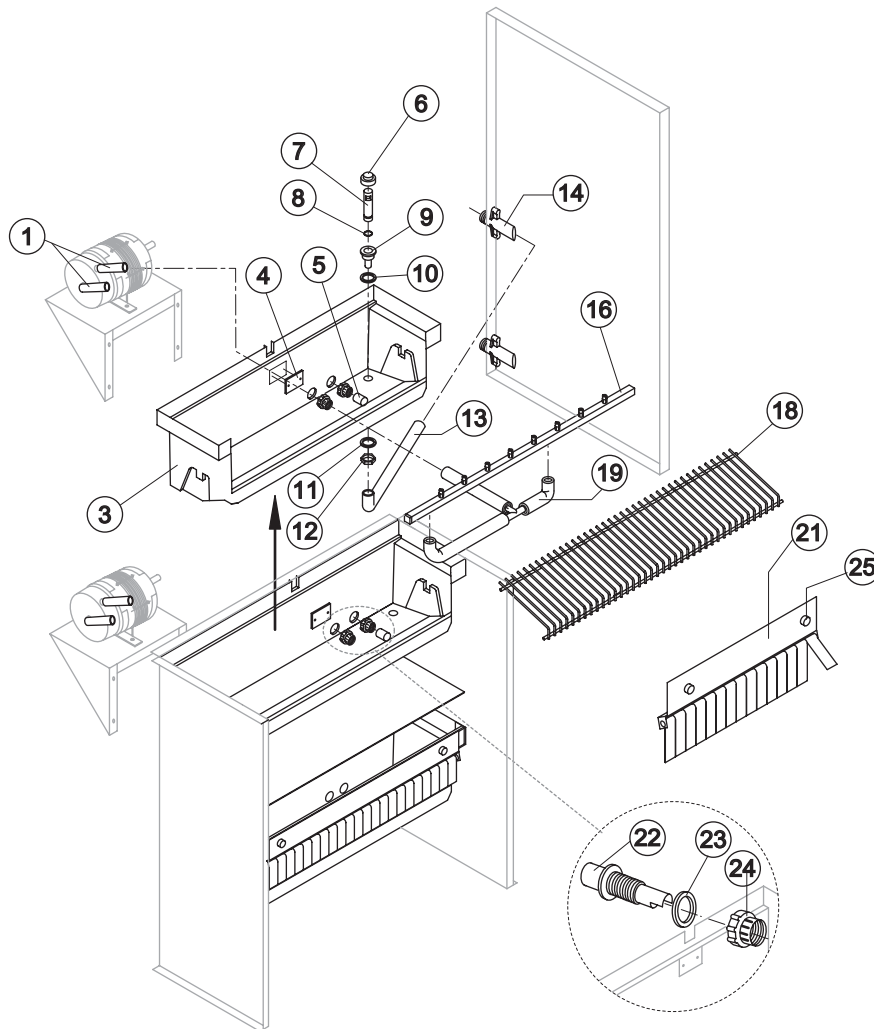
Ref. 5 - Compressor

Voltage	Code Current Version	Code from s/n. 661503 till ...	Code till s/n. 661502
220-240V ~ 50Hz	231365	R231079A till s/n.945911	23647
220-230V ~ 60Hz	231385	R231081A till s/n.971071	23651
400V 3~ 50-60Hz	231379	R231085A till s/n. 958242	23709
220-230V 3~ 60Hz	231083	231083	23708

Ref. 7 - Evaporator

Kind of Cube	Code
18 g. (Standard)	D10214
33 g.	D10092
13 g.	D10126
42 g.	D10477
60 g.	D10555

HYDRAULIC CIRCUIT



Common Parts

Ref.	Spare Description	Code
1	Pump Suction/Delivery Pipe	13150
3	Inner Basin	10440
4	Slide Keep Plate	Till s/n. 233485 10009
5*	Pump Suction Filter	20005
6	Overflow Cap	Till s/n. 243833 10305
7*	Overflow Pipe	10133
8*	OR Gasket for Overflow Pipe	20233
9	Water Outlet Nipple	10471
10	Silicone Gasket	13219
11	Semirigid Polyethylene Gasket	13007
12	Bin Discharge Nut	10096
13	Water Discharge Pipe	13054
14	Discharges Manifold	C10415
16*	Sprayers Bar Assembly	See Table
18	Ice Cubes Slide	See Table
19	Sprayers Bar Pipe Connection	C13036
21	Flags Support Assy	C22134
22	Fitting of the Pump Suction/Delivery Pipes	10424
23	Gasket for Pump Suction/Delivery Pipes	13220
24	Fittings Locking Ring	10405
25	Fixing Screw	20009

Ref. 16* - Sprayers Bar Ass.

Kind of Cube	Code
18 g. (Standard)	C20144
33 g.	C20157
13 g.	C20200
42 g.	C20157
60 g.	C20941

Ref. 18 - Ice Cube Slide

Kind of Cube	Code
18 g. (Standard)	D12022
33 g.	D12033
13 g.	D12040
42 g.	D12033
60 g.	D12084

ELECTRIC PARTS

Common Parts

Ref.	Spare Description	Code
1*	Bin Thermostat	R23421
2*	Evaporator Thermostat	R23591
3*	Timer	See Table
4*	Contactors	See Table
8	Safety Pressure Switch	23342
9*	2 Ways- Water Inlet Valve	See Table
12*	Pump Assy	RC23691
15*	On/Off Rocker Switch	23327
16	Low pressure safety switch	23763

Parts for Air-Cooled Version Only

Ref.	Spare Description	Code
6	Anti Radio Interference Filter	Only T11, T14, T15 C23459
7*	Condenser Pressure Switch	23175
13	Fan Motor	23121
14	Fan Motor	23121

Ref. 3* - Timer

Voltage	18g Cube	33g Cube	13g Cube	42g Cube	60g Cube
220-240V ~ 50Hz	23247	23248	23472	23780	23922
220-230V ~ 60Hz	231082	231080	231077	231080	TBD
400-415V 3~ 50Hz	23247	23248	23472	23780	23922
220-230V 3~ 60Hz	231082	231080	231077	231080	TDB
440-460V 3~ 60Hz	231082	231080	231077	231080	TDB

Ref. 4* - Contactor

Voltage	Code
220-240V ~ 50Hz	23147
220-230V ~ 60Hz	23963
400-415V 3~ 50Hz	23147
220-230V 3~ 60Hz	23963
440-460V 3~ 60Hz	23963

Ref. 9* - 2 Ways- Water Inlet Valve

Voltage	18/13g Cube	33g Cube	42g Cube	60g Cube
220-240V ~ 50Hz	23157	23784	23784	23784
220-230V ~ 60Hz	23157	23784	23784	23784
400-415V 3~ 50Hz	23157	23784	23784	23784
220-230V 3~ 60Hz	23157	23784	23784	23784
440-460V 3~ 60Hz	23157	23784	23784	23784

Rev. 15 - 12/03/2019

