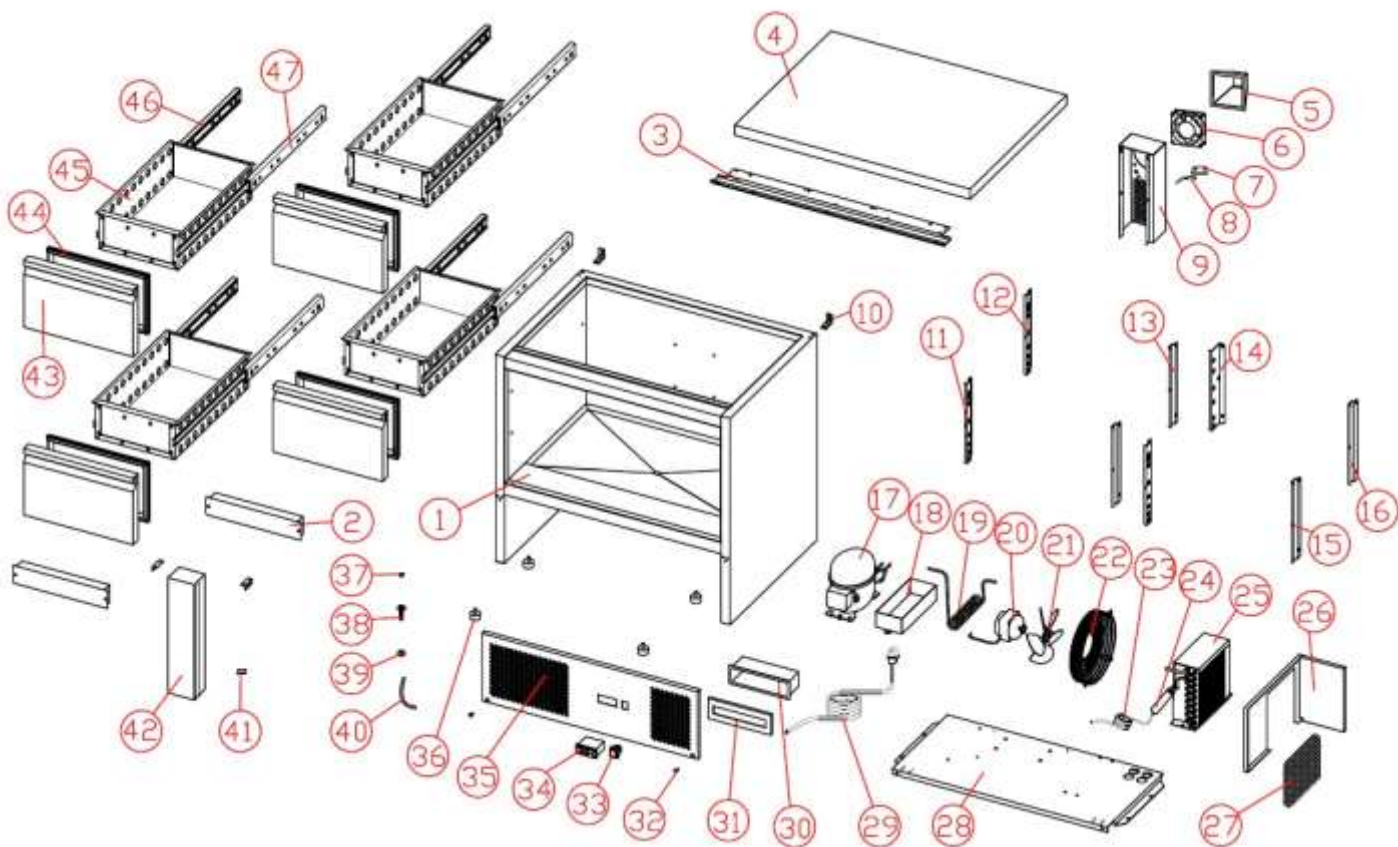


СТОЛ ХОЛОДИЛЬНЫЙ TATRA TRTGNLD4 TN



СТОЛ ХОЛОДИЛЬНЫЙ TATRA TRTGNLD4 TN

1	CABINET	GXE-0-000-0017-0	1
2	DRAWER BEAM	GXE-0-000-0098-0	2
3	UPPER HINGE	GXE-2-001-0076-0	1
4	COUNTER TOP	GXE-0-000-0019-0	1
5	AIR GUIDE COVER	16356010001	1
6	EVA. FAN	17701151238	1
7	PROBE COVER	GXE-2-001-0286-0	1
8	PROBE	17649490013	1
9	FAN BASE	GXE-2-001-0091-0	1
10	TOP FIXING PLATE	GXE-2-001-0092-0	2
11	BEAM HANG STRIP(LEFT)	GXE-2-001-0093-0	2
12	SIDE REAR HANG STRIP(LEFT)	GXE-2-001-0097-0	1
13	REAR HANG STRIP(RIGHT)	GXE-2-001-0096-0	1
14	REAR HANG STRIP(LEFT)	GXE-2-001-0095-0	1
15	BEAM HANG STRIP(RIGHT)	GXE-2-001-0094-0	2
16	SIDE REAR HANG STRIP(RIGHT)	GXE-2-001-0098-0	1
17	COMPRESSOR	17209010036	1
18	OUTER DRAIN PAN	16316130004	1
19	HIGH PRESSURE PIPE	17116060009	1
20	COND. FAN MOTOR	17701190001	1
21	COND. FAN BLADE	16381738062	1
22	COND.FAN COVER	22726010001	1
23	CAPILLARY	15804042410	1
24	DRYER FILTER	17111250145	1
25	CONDENSER	17302090201	1
26	WIND COVER	GXE-2-001-0074-0	1
27	DRYER FILTER	16324020005	1
28	COOLING UNIT BOARD	GXE-2-001-0072-0	1
29	POWER CORD	17664640059	1
30	PLASTIC WATER-PROOF BOX	16316130001	1
31	PLASTIC WATER-PROOF BOX COVER	16316130002	1
32	LARGE PLASTIC BUTTON	16369390066	2
33	POWER SWITCH	17749210020	1
34	CONTROLLER	17709030002	1
35	PANEL	GXE-2-001-0075-0	1
36	FEET	12534010009	4
37	WATER PLUG	16369140901	1
38	DRAIN-PIPE	15810020901	1
39	DRAIN-PIPE BUT	16365050901	1
40	PVC DRAIN-PIPE	GXE-2-005-0005-0	1
41	MIDDLE BEAM CONNECT	GXE-2-001-0017-0	3
42	MIDDLE BEAM	GXE-0-000-0096-0	1
43	DRAWER DOOR	GXE-0-000-0099-0	4
44	DRAWER DOOR GASKET	16401000202	4
45	DRAWER	GXE-0-000-0100-0	4
46	DRAWER GUIDE (LEFT)	1009009790550(left)	4
47	DRAWER GUIDE (RIGHT)	1009009790550(right)	4