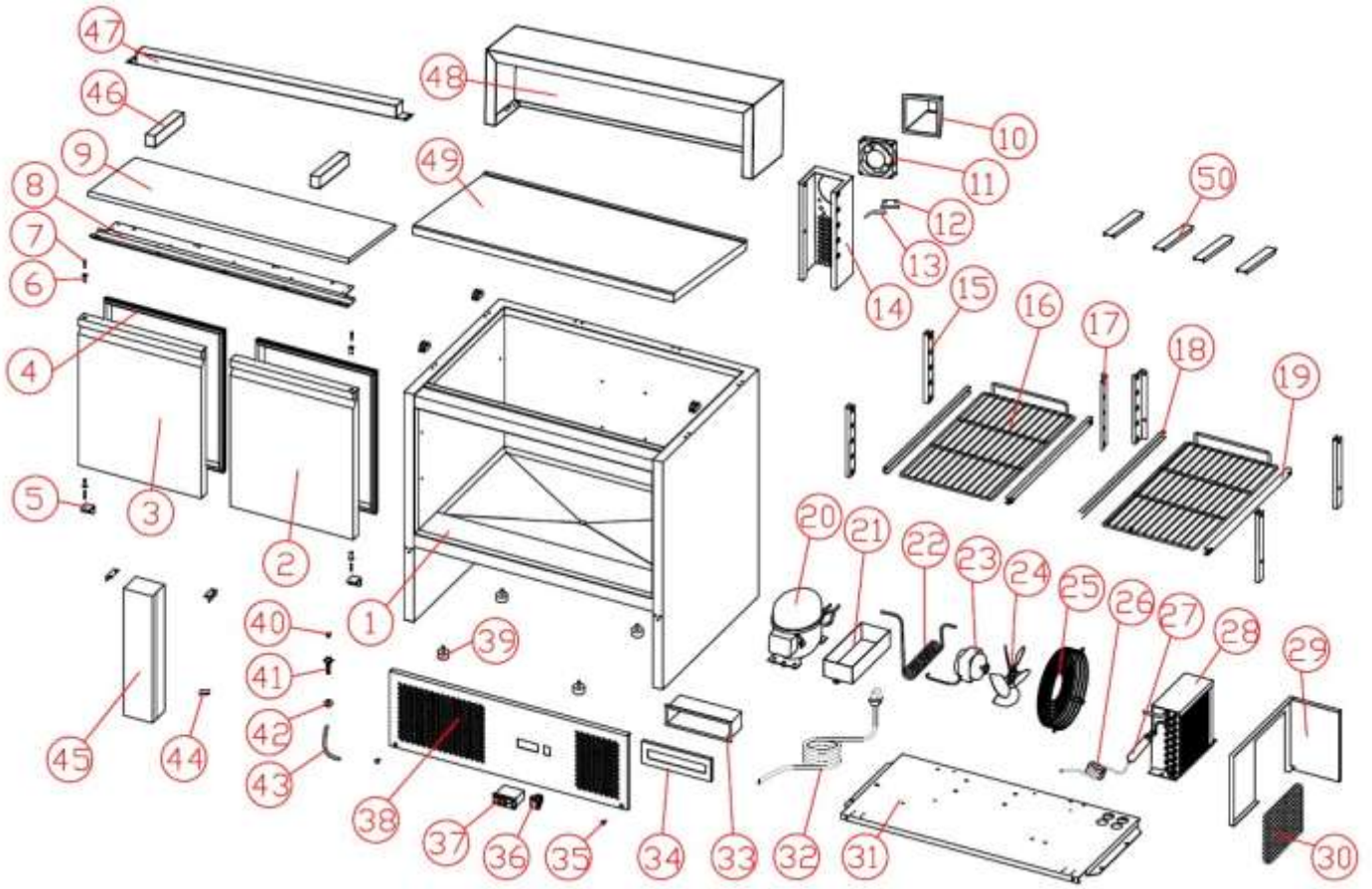


СТОЛ ДЛЯ ПИЦЦЫ ТАТРА TPZGNL2 V ST КАМЕННАЯ СТОЛЕШНИЦА



СТОЛ ДЛЯ ПИЦЦЫ ТАТРА TPZGNL2 V ST КАМЕННАЯ СТОЛЕШНИЦА

1	CABINET	GXE-0-000-0097-0	1
2	DOOR(RIGHT)	GXE-0-000-0095-0	1
3	DOOR(LEFT)	GXE-0-000-0080-0	1
4	DOOR GASKET	16401390494	2
5	BOTTOM HINGE	GXE-2-001-0090-0	2
6	DOOR AXIS SLEEVE	16353010008	4
7	HINGE AXIS	12515035728	4
8	UPPER HINGE	GXE-2-001-0076-0	1
9	TOP INSULATION BOX	GXE-0-000-0101-0	1
10	AIR GUIDE COVER	16356010001	1
11	EVA. FAN	17701151238	1
12	PROBE COVER	GXE-2-001-0286-0	1
13	PROBE	17649490013	1
14	FAN BASE	GXE-2-001-0079-0	1
15	BEAM HANG STRIP	GXE-2-001-0080-0	4
16	SHELF	12502012743	2
17	REAR HANG STRIP	GXE-2-001-0081-0	2
18	LEFT SHELF GUIDE	GXE-2-001-0077-0	2
19	RIGHT SHELF GUIDE	GXE-2-001-0078-0	2
20	COMPRESSOR	17209010036	1
21	OUTER DRAIN PAN	16316130004	1
22	HIGH PRESSURE PIPE	17116060009	1
23	COND. FAN MOTOR	17701190001	1
24	COND. FAN BLADE	16381738062	1
25	COND.FAN COVER	22726010001	1
26	CAPILLARY	15804042410	1
27	DRYER FILTER	17111250145	1
28	CONDENSER	17302090201	1
29	WIND COVER	GXE-2-001-0074-0	1
30	DRYER FILTER	16324020005	1
31	COOLING UNIT BOARD	GXE-2-001-0072-0	1
32	POWER CORD	17664640059	1
33	PLASTIC WATER-PROOF BOX	16316130001	1
34	PLASTIC WATER-PROOF BOX COVER	16316130002	1
35	LARGE PLASTIC BUTTON	16369390066	2
36	POWER SWITCH	17749210020	1
37	CONTROLLER	17709030002	1
38	PANEL	GXE-2-001-0075-0	1
39	FEET	12534010009	4
40	WATER PLUG	16369140901	1
41	DRAIN-PIPE	15810020901	1
42	DRAIN-PIPE BUT	16365050901	1
43	PVC DRAIN-PIPE	GXE-2-005-0005-0	1
44	MIDDLE BEAM CONNECT	GXE-2-001-0017-0	3
45	MIDDLE BEAM	GXE-0-000-0096-0	1
46	LEFT & RIGHT CACHEPOT	GXE-0-000-0102-0	2
47	REAR CACHEPOT	GXE-0-000-0103-0	1
48	TOP COVER	GXE-2-001-0161-0	1
49	STONE	38601490903	1
50	CACHEPOT	GXE-2-001-0167-0	4