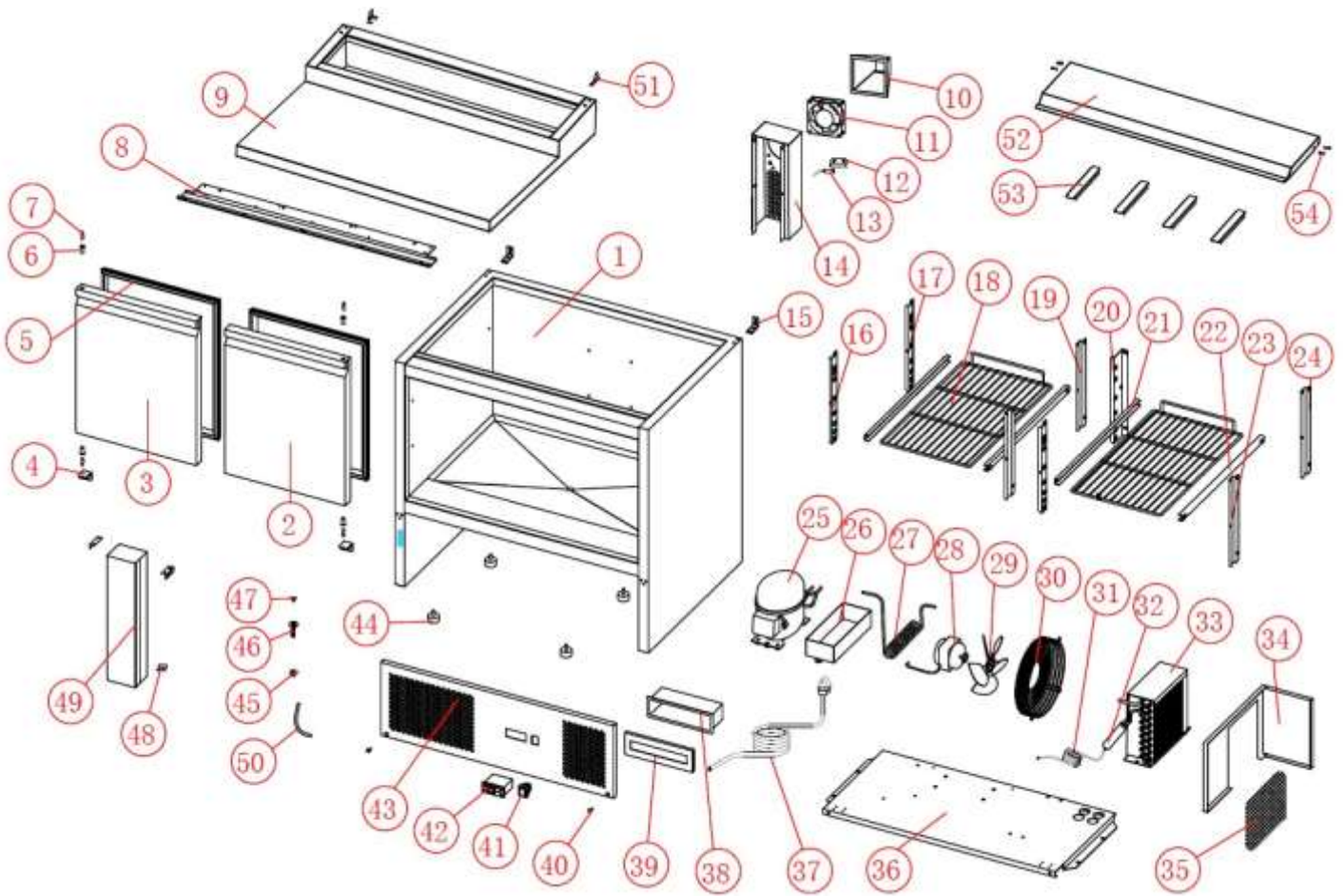


# СТОЛ ДЛЯ ПИЦЦЫ TATRA TPZGNL2 VC



## СТОЛ ДЛЯ ПИЦЦЫ TATRA TPZGNL2 VC

1	CABINET	GXE-0-000-0017-0	1
2	DOOR(RIGHT )	GXE-0-000-0095-0	1
3	DOOR(LEFT )	GXE-0-000-0080-0	1
4	BOTTOM HINGE	GXE-2-001-0090-0	2
5	DOOR GASKET	16401390494	2
6	DOOR AXIS SLEEVE	16353010008	4
7	HINGE AXIS	12515035728	4
8	UPPER HINGE	GXE-2-001-0076-0	1
9	COUNTER TOP	GXE-0-000-0076-0	1
10	AIR GUIDE COVER	16356010001	1
11	EVA. FAN	17701151238	1
12	PROBE COVER	GXE-2-001-0286-0	1
13	PROBE	17649490013	1
14	FAN BASE	GXE-2-001-0079-0	1
15	TOP FIXING PLATE	GXE-2-001-0092-0	2
16	BEAM HANG STRIP(LEFT)	GXE-2-001-0093-0	2
17	SIDE REAR HANG STRIP(LEFT)	GXE-2-001-0097-0	2
18	SHELF	12502012759	2
19	REAR HANG STRIP(RIGHT)	GXE-2-001-0096-0	1
20	REAR HANG STRIP(LEFT)	GXE-2-001-0095-0	1
21	LEFT SHELF GUIDE	GXE-2-001-0037-0	2
22	RIGHT SHELF GUIDE	GXE-2-001-0036-0	2
23	BEAM HANG STRIP(RIGHT)	GXE-2-001-0094-0	2
24	SIDE REAR HANG STRIP(RIGHT)	GXE-2-001-0098-0	1
25	COMPRESSOR	17209010036	1
26	OUTER DRAIN PAN	16316130004	1
27	HIGH PRESSURE PIPE	17116060009	1
28	COND. FAN MOTOR	17701190001	1
29	COND. FAN BLADE	16381738062	1
30	COND.FAN COVER	22726010001	1
31	CAPILLARY	15804042410	1
32	DRYER FILTER	17111250145	1
33	CONDENSER	17302090270	1
34	WIND COVER	GXE-2-001-0074-0	1
35	DRYER FILTER	16324020005	1
36	COOLING UNIT BOARD	GXE-2-001-0072-0	1
37	POWER CORD	17664640059	1
38	PLASTIC WATER-PROOF BOX	16316130001	1
39	PLASTIC WATER-PROOF BOX COVER	16316130002	1
40	LARGE PLASTIC BUTTON	16369390066	2
41	POWER SWITCH	17749210020	1
42	CONTROLLER	17709030002	1
43	PANEL	GXE-2-001-0075-0	1
44	FEET	12534010009	4
45	DRAIN-PIPE BUT	16365050901	1
46	DRAIN-PIPE	15810020901	1
47	WATER PLUG	16369140901	1
48	MIDDLE BEAM CONNECT	GXE-2-001-0017-0	3
49	MIDDLE BEAM	GXE-0-000-0096-0	1
50	PVC DRAIN-PIPE	GXE-2-005-0005-0	1
51	HINGE AXIS BASE	GXE-2-001-0283-0	1
52	CACHEPOT	GXE-2-001-0279-0	1
53	COVER	GXE-2-001-0280-0	4
54	COVER AXIS	12515010003	4