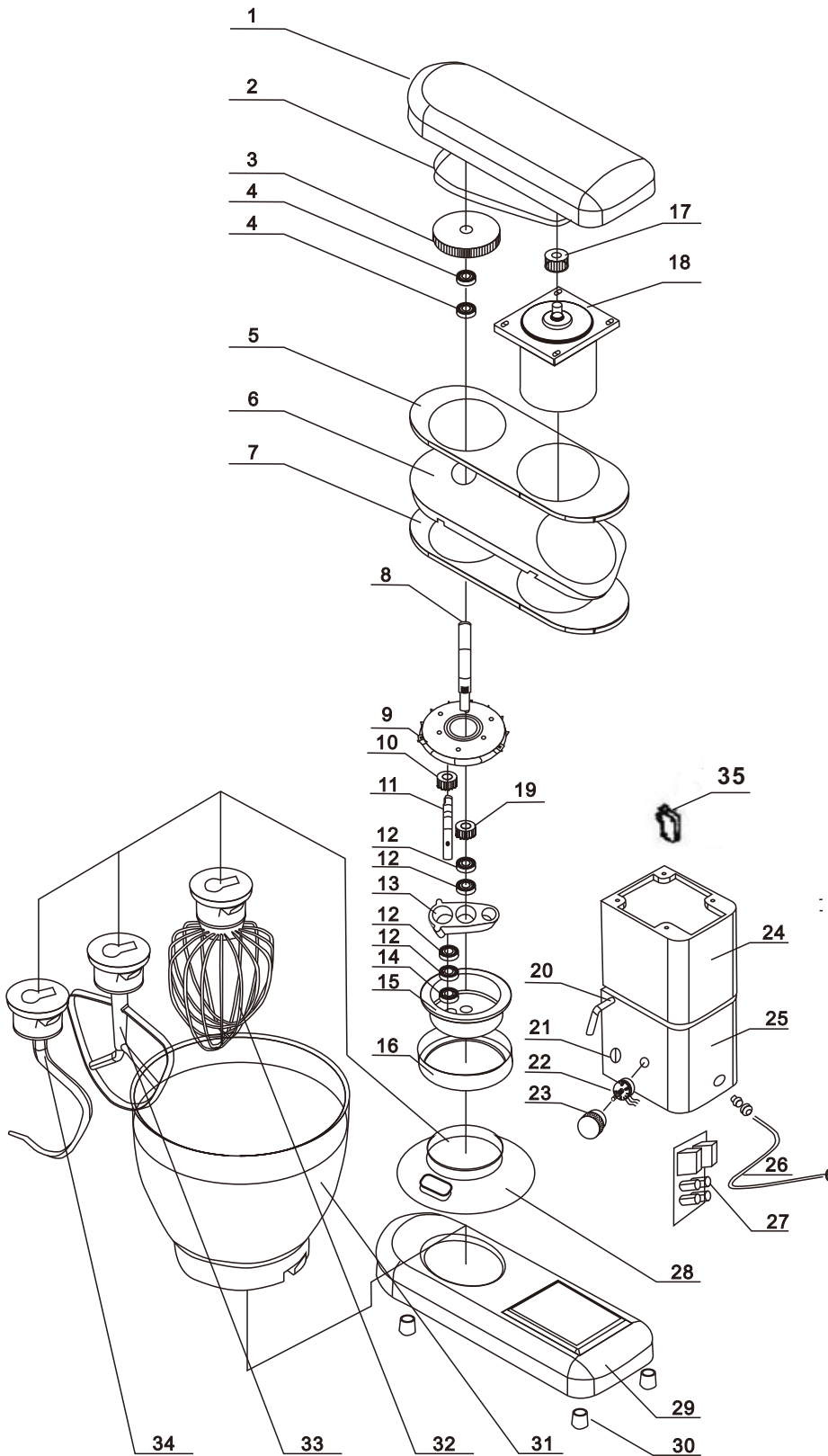


Explosive view of food mixer



No.	Item
1	head
2	belt
3	big pulley
4	bearings 1
5	clapboard I
6	clapboard II
7	clapboard III
8	transmission axis
9	tooth circle
10	planetary gear
11	mixing shaft
12	bearings 2
13	bearing base
14	oil seal
15	tray
16	decoration shell
17	small pulley
18	motor
19	central gear
20	swinging stem
21	switch
22	potentiometer
23	knob
24	pillar II
25	pillar I
26	wire
27	circuit board
28	safety guard
29	bottom
30	rubber feet
31	bowl
32	whisk
33	flat beater
34	dough hook
35	microswitch