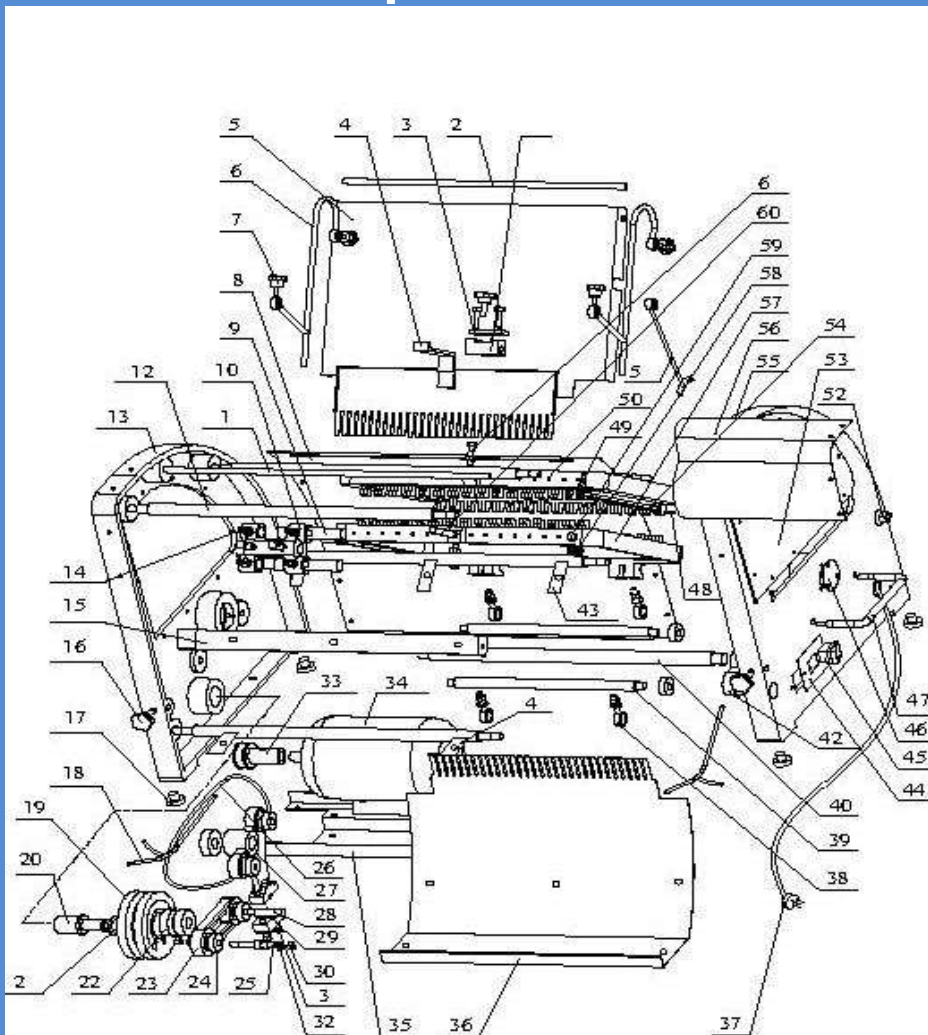


## Взрыв-схема



## Список запчастей

Item	Parts No.	Description	Notes
1	CS—QMBJ—019	Small tray	
2	CS—QMBJ—027	Draw bar #2	
3	CS—QMBJ—018	cover	
4	CS—QMBJ—022	salver	
5	CS—QMBJ—025	Bread filler board	
6	CS—QMBJ—035	Rear draw bar	Qty:2

7	CS—QMBJ—045	Fastness handle	Qty: 4
8	CS—QMBJ—037	Front cover	
9	CS—QMBJ—015	Nylon mandrel	Qty:2
10	CS—QMBJ—010	Fastness seat	
11	CS—QMBJ—026	Draw bar #1	
12	CS—QMBJ—028	Support lever #1	Qty:4
13	CS—QMBJ—034	Side-board right	
14	GB820—85—M6×15	Hex socket head cap screw	Standard part ( qty:4 )
15	CS—QMBJ—046	Horizontal lever	
16	CS—QMBJ—044	Fastness handle 1	Qty:3
17	CS—QMBJ—048	Standing foot	Qty:4
18	CS—QMBJ—047	lever	Qty:2
19	CS—QMBJ—004	Large wheel	
20	CS—QMBJ—006	shaft of large wheel	
21	20—GB894—86	axial elastic retaining ring	Standard part
22	HS6204Z	Bearing	φ 41×φ 20×14 ( qty:4 )
23	CS—QMBJ—003	rotate arm	
24	HS6201Z	Bearing	φ 32×φ 12×10 ( qty:6 )
25	CS—QMBJ—005	Eccentric shaft	
26	A—700	belt	
27	CS—QMBJ—017	Connect bridge#1	
<b>Item</b>	<b>Parts No.</b>	<b>Description</b>	<b>Notes</b>
28	CS—QMBJ—014	rotate arm shaft	
29	CS—QMBJ—008	Fastness board	

30	GB5780—86—M8×35	bolt	Standard part ( qty:2 )
31	GB6170—86—M8	nut	Standard part ( qty:14 )
32	GB95—85—8—100HV	Plane cushion	Standard part (qty:10)
33	CS—QMBJ—001	Small wheel	
34	CS—QMBJ—039	Electric motor	
35	CS—QMBJ—042	Board of motor	
36	CS—QMBJ—023	Front tray	
37	GB5023.5—1997	Power supply	3×0.75mm <sup>2</sup> L=1850mm
38	CS—QMBJ—013	Eye ring bolt	qty:4
39	CS—QMBJ—029	Support lever 2	qty:2
40	CS—QMBJ—030	Support lever 3	
41	CS—QMBJ—036—1	Support board	qty:2
42	CS—QMBJ—016	Connect bridge 2	
43	CS—QMBJ—036—2	Support board 2	qty:3
44	CS—QMBJ—041	Switch board	
45	CS—QMBJ—040	Switch of power	
46	CS—QMBJ—002	Stainless cover	qty:2
47	CS—QMBJ—009	handle	qty:2
48	CS—QMBJ—043	Support shaft and pin for knives	Quantity depend on the model
49	CS—QMBJ—012	Spring rack	Quantity depend on the model
50	CS—QMBJ—020	Knives set2	
51	CS—QMBJ—007	Inclined support	
52	GB6170—86—M12	nut	Standard part qty: ( 8 )
53	CS—QMBJ—038	Side-board	qty:2

54	CS—QMBJ—032	knives	Quantity depend on the model
<b>Item</b>	<b>Parts No.</b>	<b>Description</b>	<b>Notes</b>
55	CS—QMBJ—033	Side-board left	
56	CS—QMBJ—024	Rear top cover	
57	CS—QMBJ—021	Knives set 1	
58	CS—QMBJ—011	spring	Quantity depend on the model
59	GB5780—86—M6× 30	bolt	Standard part ( Quantity depend on the model )
60	CS—QMBJ—031	Pin shaft	qty:2
61	GB5780—86—M6× 15	bolt	Standard part ( qty:4 )