



# VM 900

# LIST OF THE EXPLODED VIEWS

From s/n. 297566 up Today



*SHELL ASSY*

*COOLING SYSTEM*

*HYDRAULIC CIRCUIT*

*SPRAYER PUMP*

*ELECTRIC PARTS*

From s/n.141196 Till s/n. 297565



*SHELL ASSY*

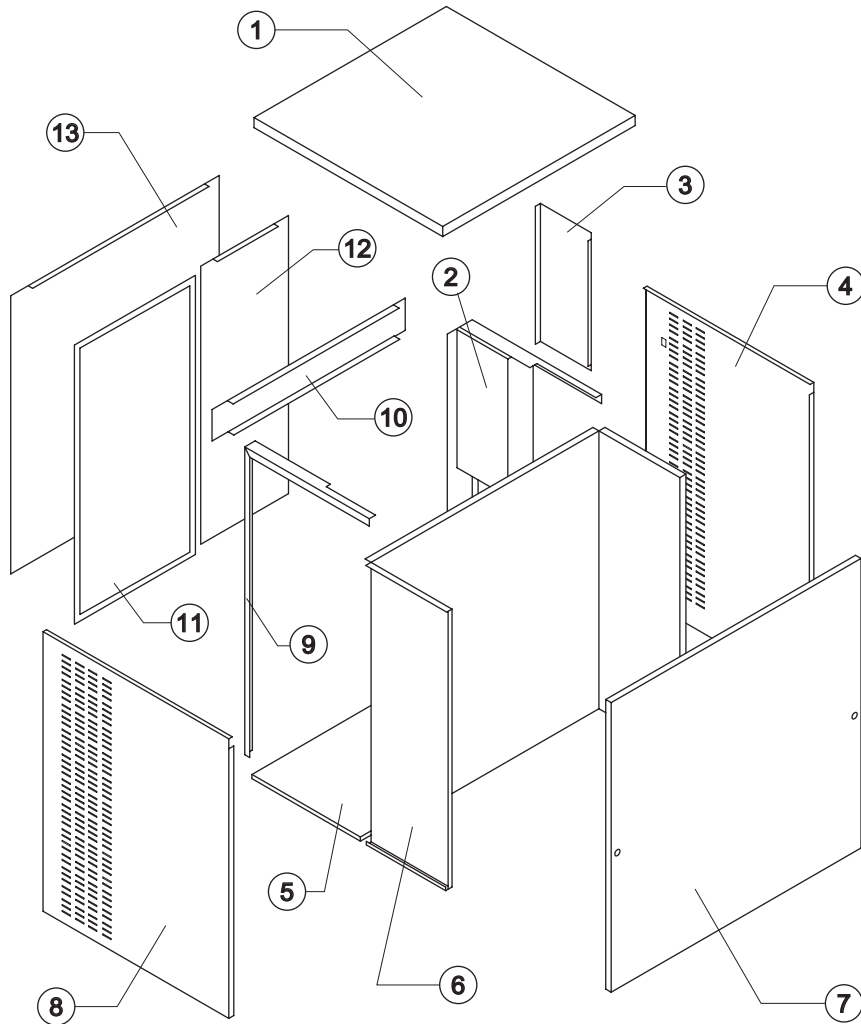
*COOLING SYSTEM*

*HYDRAULIC CIRCUIT*

*SPRAYER PUMP*

*ELECTRIC PARTS*

Rev. 10 - 23/01/2014



Rev. 10 - 23/01/2014

### Common Parts

Ref.	Spare Description	Code
1	Top Assembly	C22813
2	Right Angle Bar	22814
3	Electrical Box Cover	21323
4	Right Side Panel	22408
5	Base Plate	22812
6	Evaporator Chamber	22819
7	Front Panel Assembly	C22816
8	Left Side Panel	22822
9	Left Angle Bar	22820
10	Rear Cross Bar	22817

### Parts for Air-Cooled Version Only

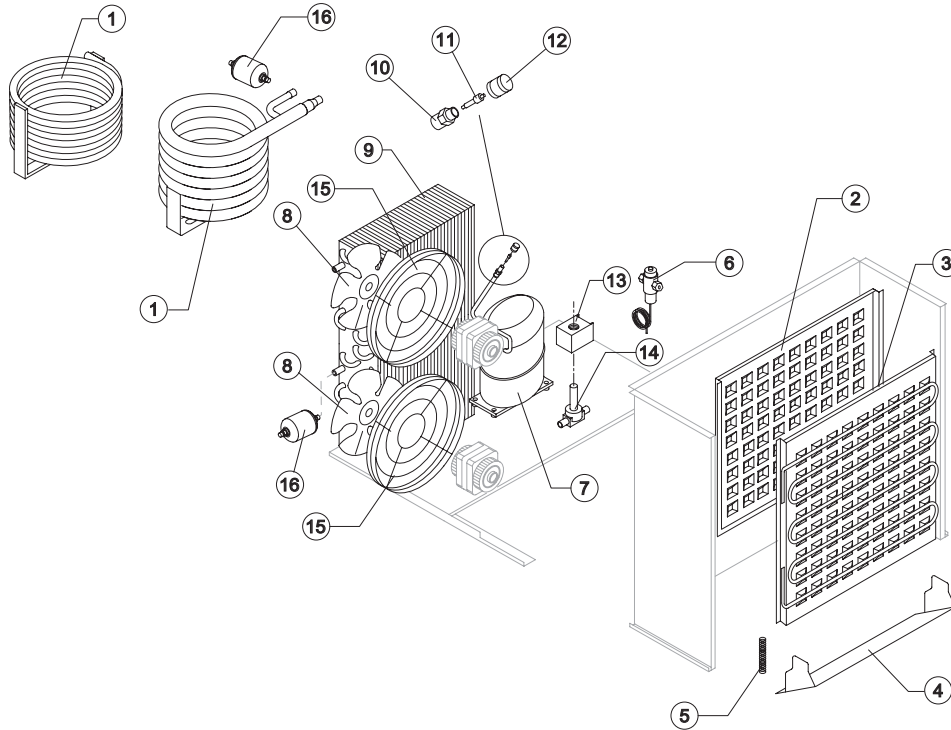
Ref.	Spare Description	Code
11*	Filter	18166
12	Rear Panel	21287

### Parts for Water-Cooled Version Only

Ref.	Spare Description	Code
13	Rear Panel	21285



Till s/n. 515427



### Common Parts

Ref.	Spare Description	Code
2	Evaporator (Back)	D10227
3	Evaporatore (Front)	D10228
4	Horizontally Hinged Panel	22608
5	Spring	20464
7	Compressor	See Table
10	Vacuum-Charge Valve Body	14007
11*	Vacuum-Charge Valve Device	14005
12*	Vacuum-Charge Valve Plug	14006
13*	Hot Gas Valve Coil	See Table
14*	Hot Gas Valve Body	20409
16*	Liquid Line Drier	14084

### Parts for Air-Cooled Version Only

Ref.	Spare Description	Code
8	Sucking Fan	20407
9	Air Condenser	20838
15	Fan Motor Grid	12056

### Parts for Water-Cooled Version Only

Ref.	Spare Description	Code
1	Water Condenser	Current Version 14660
1	Water Condenser	Till s/n. 515427 14285
6	Pressostatic Valve	20149

### Ref. 7 - Compressor

Voltage	Code Current Version	Code till s/n. 661502
T11	231079	23647
T12	231081	23651
T15	231085	23709
T16	231083	23708
T18	-	23651 Till s/n. 605530

### Ref. 13\* - Hot Gas Valve Coil

Voltage	Code
T11	23091
T12	23091
T18	23843 Till s/n. 605530
T15	23091
T16	23091



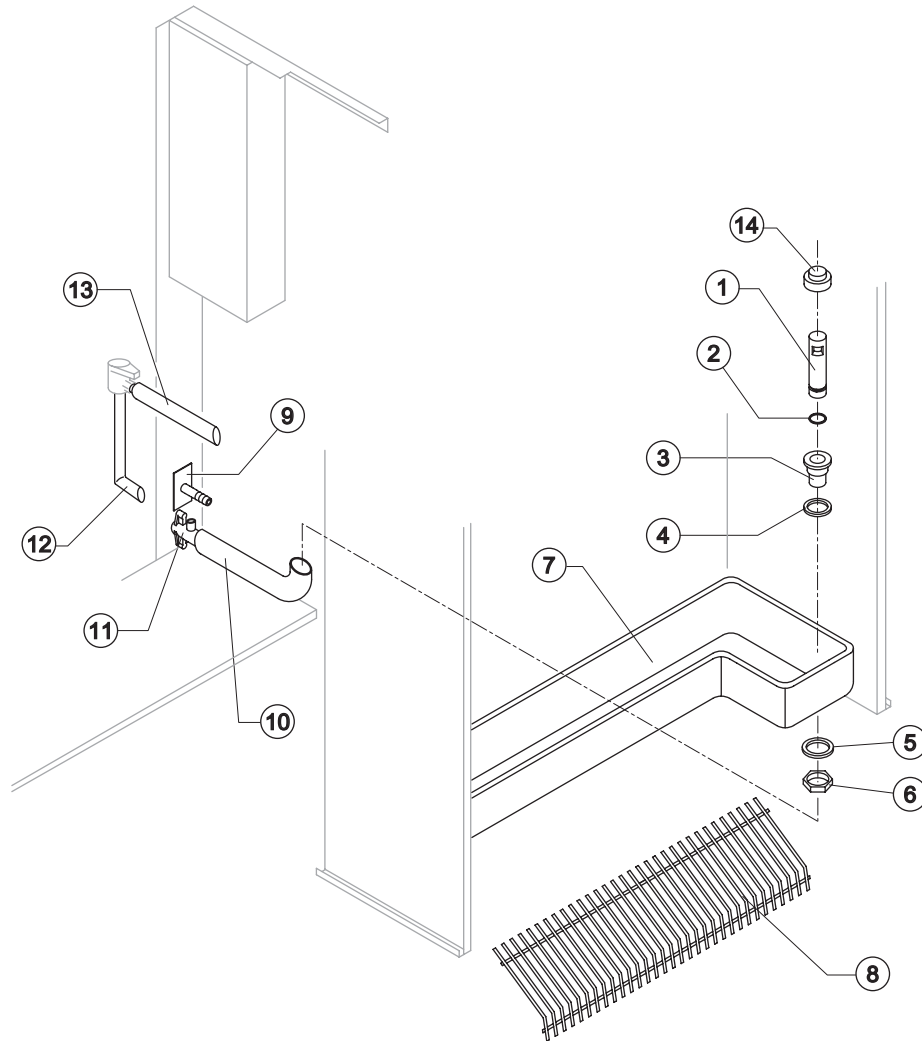
### Common Parts

Ref.	Spare Description	Code
1*	Overflow Pipe	10399
2*	OR Gasket for Overflow Pipe	20233
3	Overflow Pipe Nipple	10471
4	Silicone Gasket	13006
5	Semirigid Polyethylene Gasket	13007
6	Bin Discharge Nut	10096
7	Water Basin	10395
8	Ice Cubes Slide	D12057
10	Overflow Pipe Nipple	13120
11	Drain Nipple	10431
12	Discharge Valve Connection Pipe - Discharge	13040
13	Discharge Valve Connection Pipe ("T"Shaped)	13102
14*	Overflow Cap	10305

### Parts for Water-Cooled Version Only

Ref.	Spare Description	Code
9	Conenction with Plate	C20462

Rev. 10 - 23/01/2014

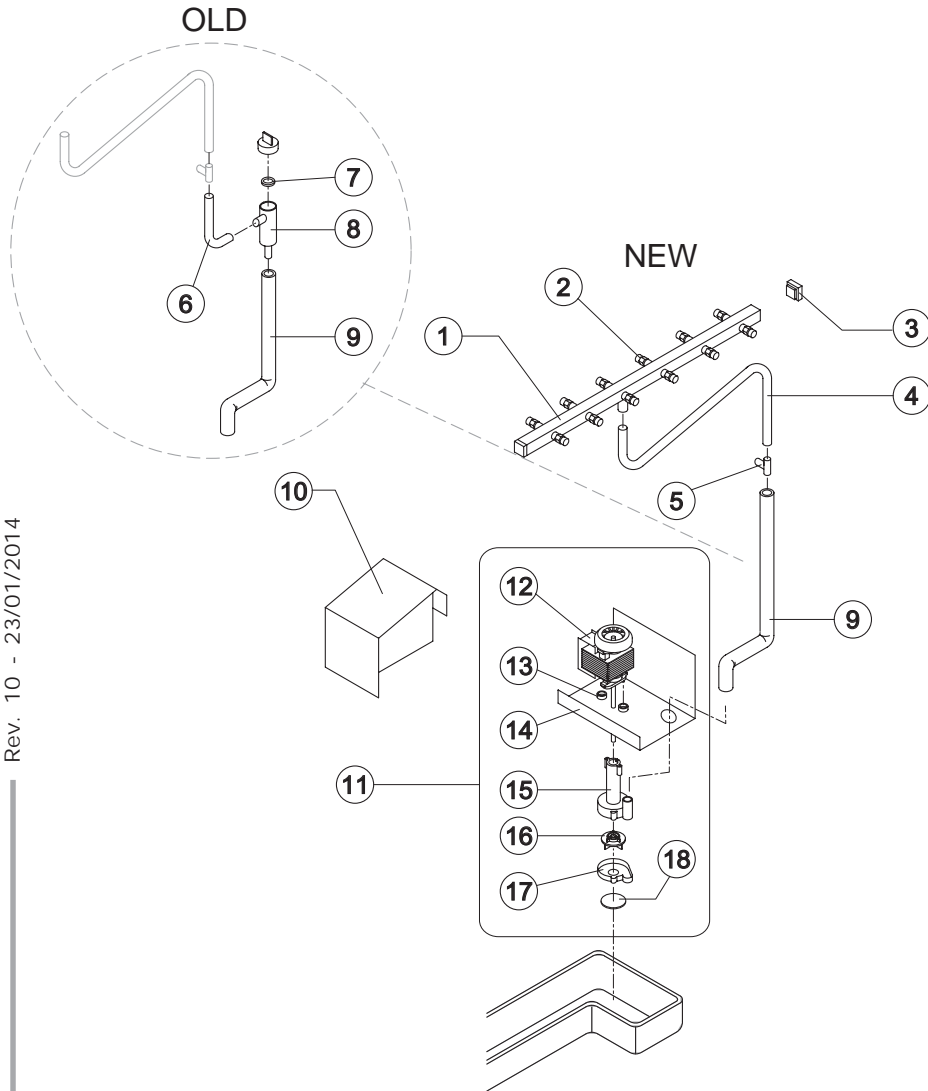




# VM 900

From s/n. 297566 up Today

# SPRAYER PUMP



Ref.	Spare Description	Code
1*	Sprayers Bar Assembly	C20617
2	Sprayer	D20002
3	Sprayers Bar Plug	10012
4	Sprinkler Ba Connection Pipe ("T" Shaped)	13134
5	Plastic "T" ø 20	10082
6	Sprayers Feeding Pipe	OLD version 13005
7	Pump Filter Gasket	OLD version 13080
8	Pump Filter	OLD version 10139
9	"T" - Pump Connection Pipe	See Table -
10	Protection Pump Panel	22804
11*	Pump Assembly	See Table -
12	Pump	See Table -
13	Pump Motor Shim	20510
14	Pump Motor Support	22799
15	Pump Body	10065
16	Pump Impeller	See Table -
17	Diffusor	10067
18	Pump Filter	20518

### Ref. 9 - "T"-Pump Connection Pipe

Version	Code
NEW	13113
OLD	13157

### Ref. 12 - Pump

Voltage	Code
T11-T15	23600
T12-T16	23601
T18	23601 Till s/n. 605530

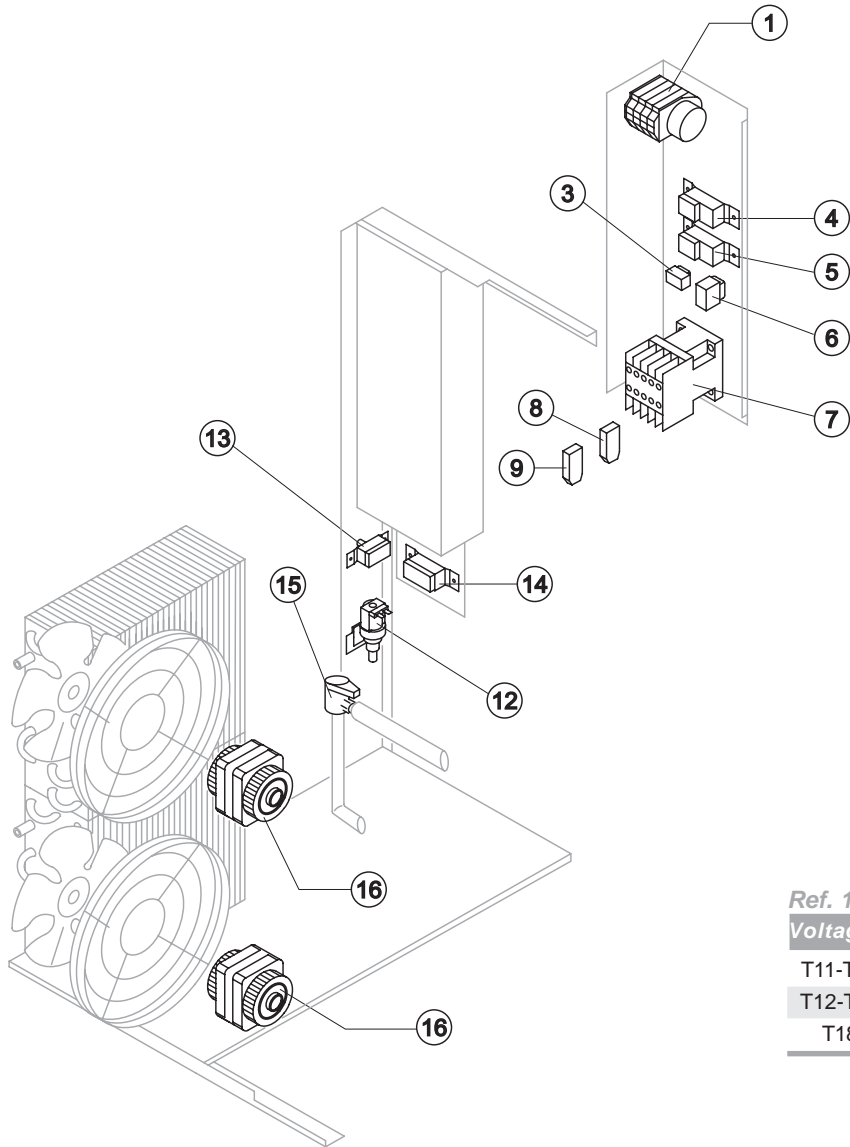
### Ref. 11\* - Pump Assy

Voltage	Code
T11-T15	C23626
T12-T16	C23627
T18	C23627 Till s/n. 605530

### Ref. 16 - Pump Impeller

Voltage	Code
T11-T15	10066
T12-T16	10138
T18	10138 Till s/n. 605530

Rev. 10 - 23/01/2014



### Common Parts

Ref.	Spare Description	Code
1*	Timer	See Table
3	"Cleaning" Switch	23619
4*	Bin Thermostat	R23005
5*	Evaporator Thermostat	R23597
6*	Green Light Switch (On-Off)	23327
7*	Contactor	See Table
12*	1 Way- Water Inlet Valve	23623
13	Safety Pressure Switch	23342
15*	Water Outlet Valve	23537

### Parts for Air-Cooled Version Only

Ref.	Spare Description	Code
8	Anti Radio Interference Filter	Only T11 C23459
9	Anti Radio Interference Filter	Only T11 C23458
14*	Condenser Pressure Switch	See Table -
16*	Fan Motor	23121

#### Ref. 1\* - Timer

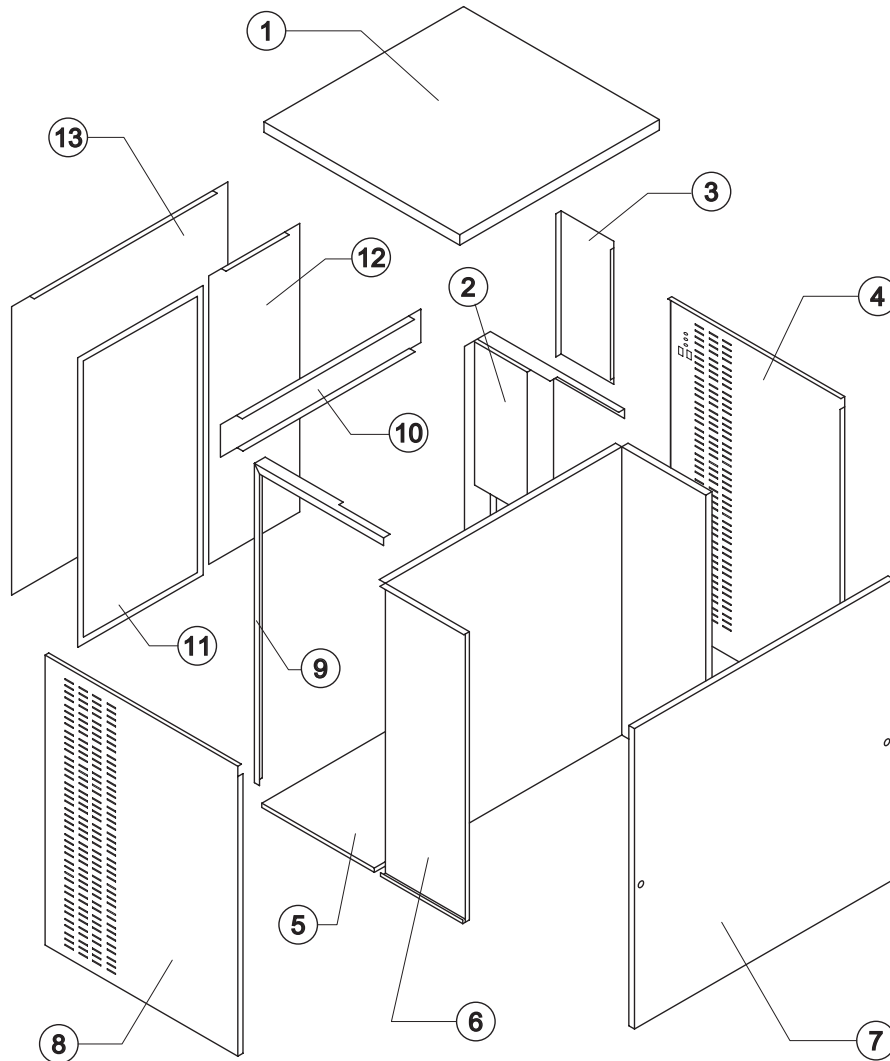
Voltage	Code
T11-T15	23635
T12-T16	23632
T18	23632 Fino a Matr. 605530

#### Ref. 7\* - Contactor

Voltage	Code
T11-T15	23147
T12-T16	23963
T18	23963 Fino a Matr. 605530

#### Ref. 14\* - Cond. Pressure Switch

Voltage	Code
T11-T15	23175
T12-T16	23175
T18	23680 Fino a Matr. 605530



Rev. 10 - 23/01/2014

### Common Parts

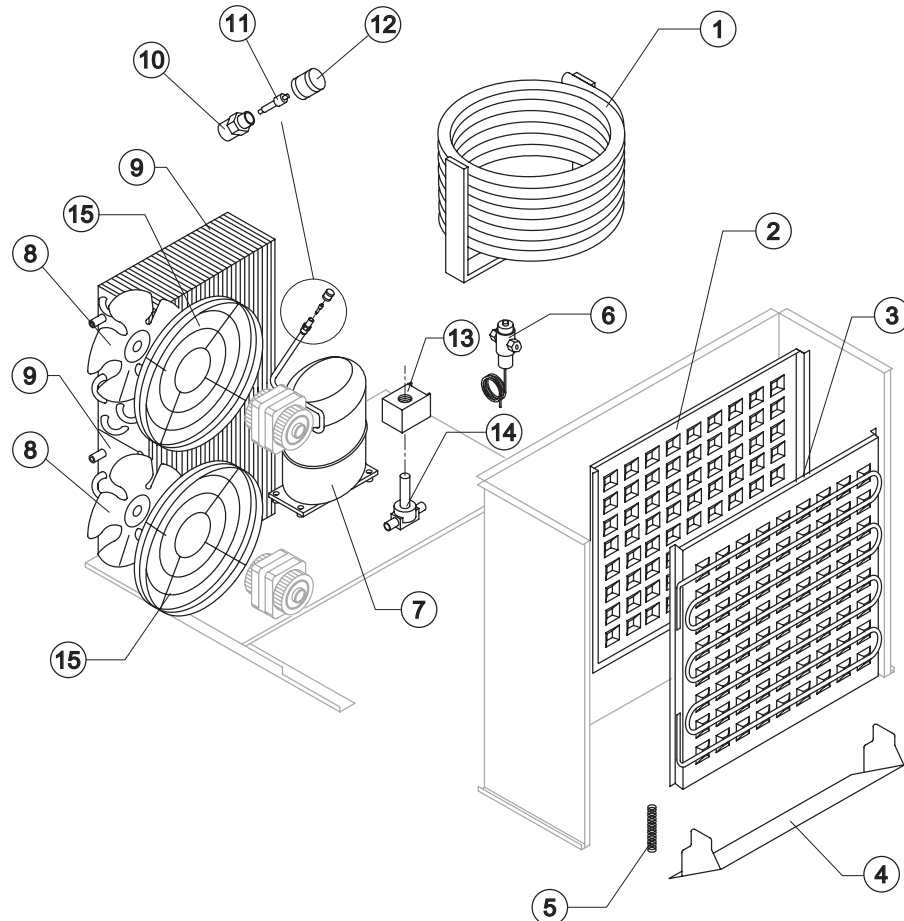
Ref.	Spare Description	Code
1	Top Assembly	C22813
2	Right Angle Bar	22814
3	Electrical Box Cover	21274
4	Right Side Panel	22821
5	Base Plate	22812
6	Evaporator Chamber	22819
7	Front Panel Assembly	C22816
8	Left Side Panel	22822
9	Left Angle Bar	22820
10	Rear Cross Bar	22817

### Parts for Air-Cooled Version Only

Ref.	Spare Description	Code
11	Filter	18166
12	Rear Panel	21287

### Parts for Water-Cooled Version Only

Ref.	Spare Description	Code
13	Rear Panel	21285



### Common Parts

Ref.	Spare Description	Code
2	Evaporator (Back)	D10227
3	Evaporatore (Front)	D10228
4	Horizontally Hinged Panel	22608
5	Spring	20464
7	Compressor	See Table -
10	Vacuum-Charge Valve Body	14007
11	Vacuum-Charge Valve Device	14005
12	Vacuum-Charge Valve Plug	14006
13	Hot Gas Valve Coil	See Table -
14	Hot Gas Valve Body	20409

### Parts for Air-Cooled Version Only

Ref.	Spare Description	Code
8	Sucking Fan	20407
9	Air Condenser	20670
15	Fan Motor Grid	12056

### Parts for Water-Cooled Version Only

Ref.	Spare Description	Code
1	Water Condenser	14285
6	Pressostatic Valve	20149

### Ref. 7 - Compressor

Voltage	Code
T11	23647
T12	23651
T18	23651
T15	23709

### Ref. 13 - Hot Gas Valve Coil

Voltage	Code
T11	23091
T12	23091
T18	23843
T15	23091

Rev. 10 - 23/01/2014





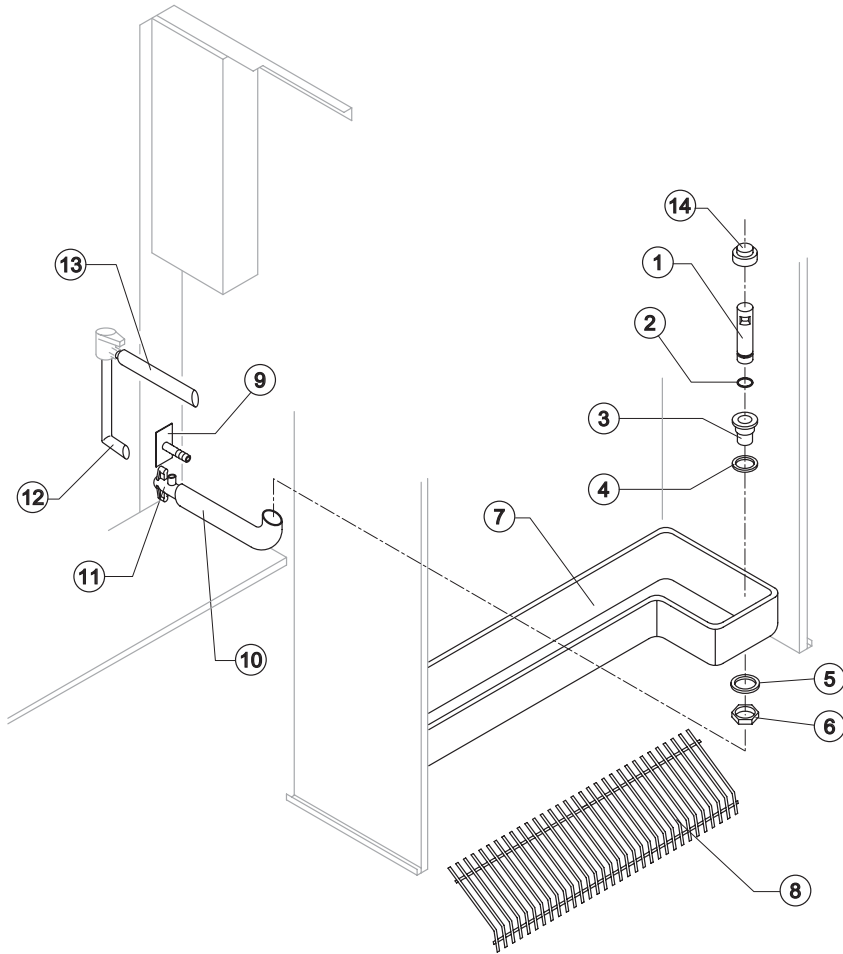
### Common Parts

Ref.	Spare Description	Code
1	Overflow Pipe	10399
2	OR Gasket for Overflow Pipe	20233
3	Silicone Gasket	10241
4	Silicone Gasket	13006
5	Semirigid Polyethylene Gasket	13007
6	Bin Discharge Nut	10096
7	Water Basin	10395
8	Ice Cubes Slide	D12057
10	Overflow Pipe Nipple	13120
11	Drain Nipple	10431
12	Discharge Valve Connection Pipe - Discharge	13040
13	Discharge Valve Connection Pipe ("T"Shaped)	13102
14	Overflow Cap	10305

### Parts for Water-Cooled Version Only

Ref.	Spare Description	Code
9	Connection with Plate	C20462

Rev. 10 - 23/01/2014

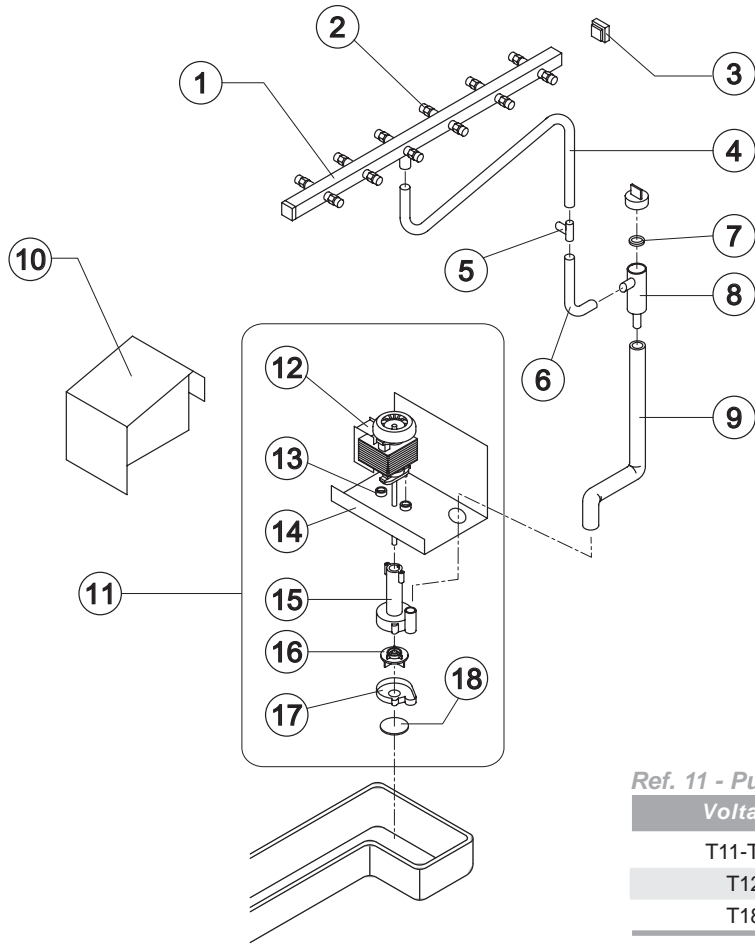




# VM 900

From s/n. 141196 Till s/n. 297565

# SPRAYER PUMP



Ref.	Spare Description	Code	
1	Sprayers Bar Assembly	C20617	
2	Sprayer	D20002	
3	Sprayers Bar Plug	10012	
4	Sprinkler Ba Connection Pipe ("T" Shaped)	13134	
5	Plastic "T" ø 20	10082	
6	Sprayers Feeding Pipe	13005	
7	Pump Filter Gasket	13080	
8	Pump Filter	10139	
9	"T" - Pump Connection Pipe	13157	
10	Protection Pump Panel	22804	
11	Pump Assembly	See Table	-
12	Pump	See Table	-
13	Pump Motor Shim		20510
14	Pump Motor Support		22799
15	Pump Body		10065
16	Pump Impeller	See Table	-
17	Diffusor		10067
18	Pump Filter		20518

### Ref. 11 - Pump Assembly

Voltage	Code
T11-T15	C23626
T12	C23627
T18	C23627

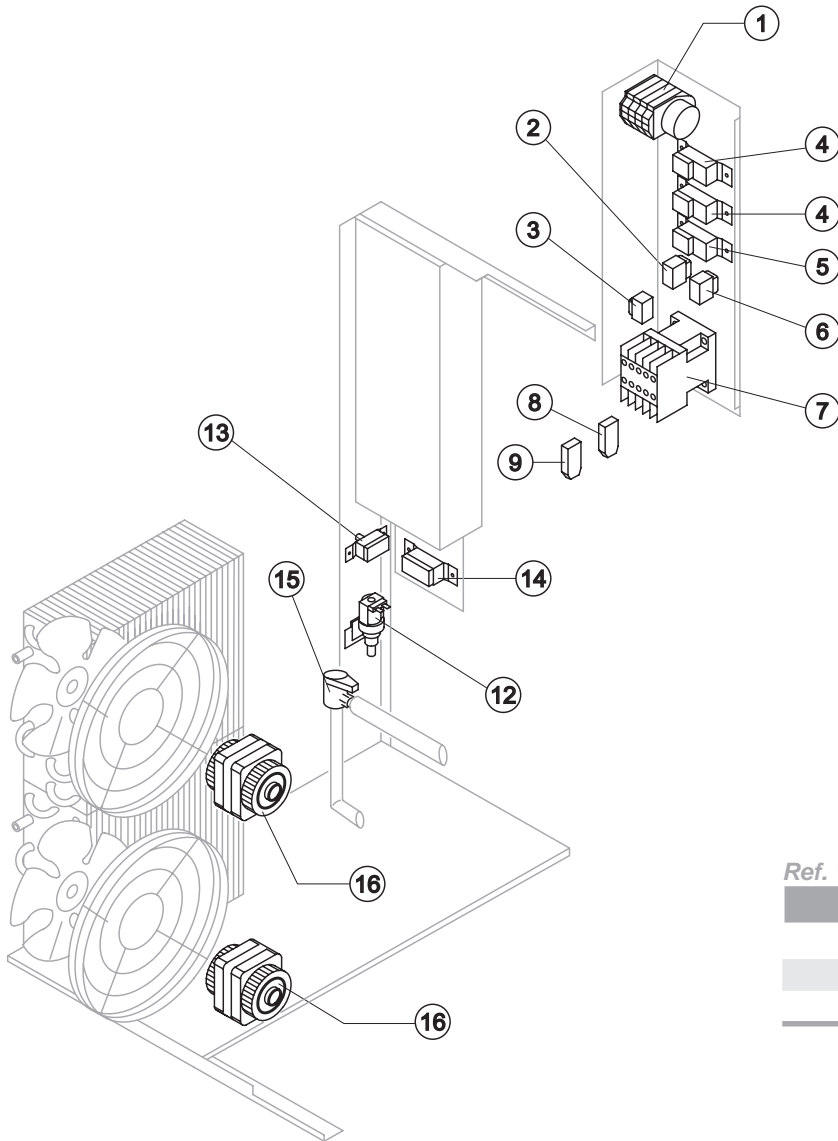
### Ref. 12 - Pump

Voltage	Code
T11-T15	23600
T12	23601
T18	23601

### Ref. 16 - Pump Impeller

Voltage	Code
T11-T15	10066
T12	10138
T18	10138

Rev. 10 - 23/01/2014



### Common Parts

Ref.	Spare Description	Code
1	Timer	See Table
2	Light Switch "Economy-Full"	23611
3	"Cleaning" Switch	23619
4	Bin Thermostat	R23005
5	Evaporator Thermostat	R23597
6	Green Light Switch (On-Off)	23327
7	Contactor	See Table
12	1 Way- Water Inlet Valve	23623
13	Safety Pressure Switch	23342
15	Water Outlet Valve	23537

### Parts for Air-Cooled Version Only

Ref.	Spare Description	Code
8	Anti Radio Interference Filter	Only T11 C23459
9	Anti Radio Interference Filter	Only T11 C23458
14	Condenser Pressure Switch	See Table
16	Fan Motor	23121

#### Ref. 1 - Timer

Voltage	Code
T11	23635
T12	23632
T18	23632

#### Ref. 7\* - Contactor

Voltage	Code
T11	23147
T12	23963
T18	23963

#### Ref. 14 - Cond. Pressure Switch

Voltage	Code
T11	23175
T12	23175
T18	23680