

# Instruction Sheet

## Cart 19 & Stacking Spacer Kit

### EIKON® E4/E4S

#### Parts Required

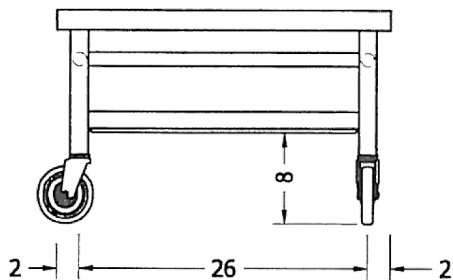
- Stack 19, E4 Oven Stacking Cart (1x)
- eikon® e4/e4s Oven Spacer kit (PSA2208) includes:
  - DV0854 oven spacer (1x)
  - DV0869 retainer bracket (1x)

#### Tools required

- 7mm Nut Runner
- Glass Container

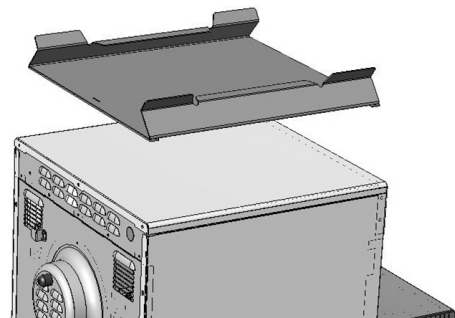
#### Instructions

1. Isolate both ovens to be stacked from the power supply before carrying out any maintenance work on them. Secure the ovens against accidental restart. Double check that there is no flow of electricity within them.
2. Allow both ovens to cool down before carrying out any maintenance work.
3. Place the oven stacking cart 19 near the stack of ovens.

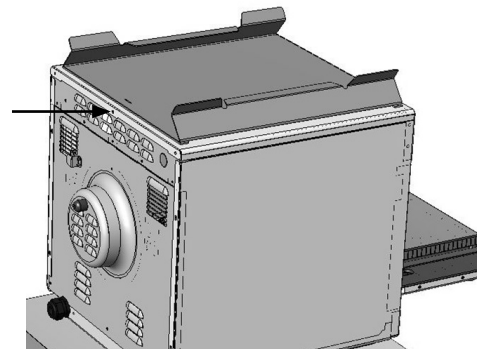


4. Move the top oven from old stack and place onto oven stacking cart 19. This will now be the bottom oven. Lifting of an oven **MUST** be performed with appropriate lifting equipment or minimum two people.
5. Place the oven spacer onto the upper lid of the bottom oven.
  - The support rails must run along the side edges of the oven.

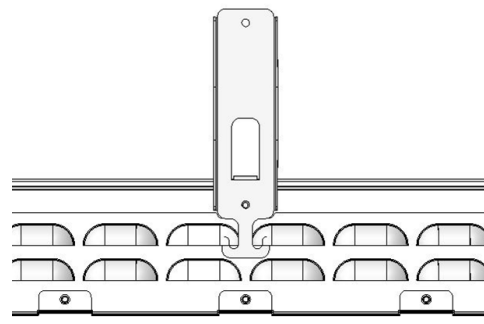
- The retainer bracket slot must be located at the rear of the oven.



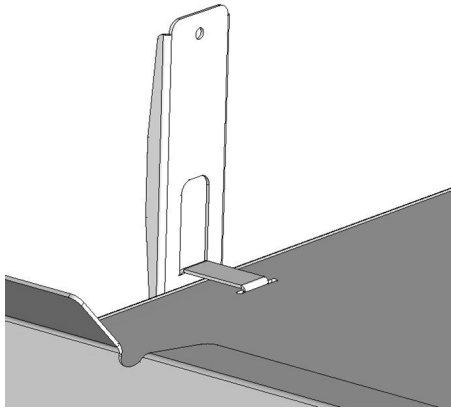
6. Remove the middle screw securing the upper lid at the rear panel of this oven.



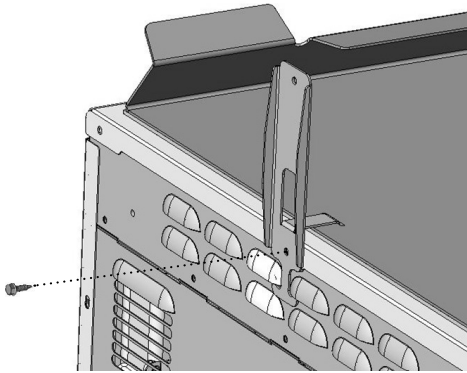
7. Fit the retainer bracket to the oven by first hooking the bottom of the bracket under the rear louvers. Then align the retainer bracket to the hole that the screw has been removed from.



8. Clip the bracket into the retainer bracket slot.



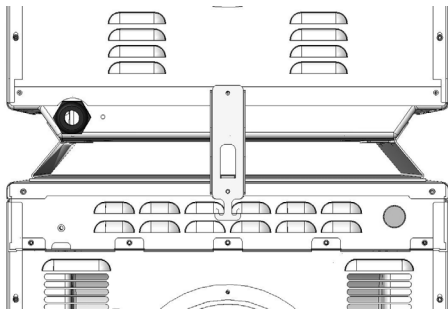
9. Fit the screw to the retainer bracket and the middle hole of the lid.



10. Remove the screw located at the middle bottom of the rear panel of the second oven.

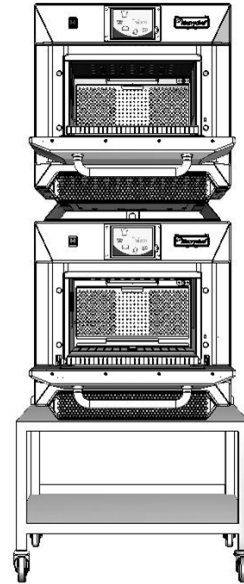
11. Place the second oven onto the oven spacer carefully. Lifting of an oven **MUST** be performed with appropriate lifting equipment or minimum two people!

12. Align the oven to the retainer bracket and secure the bracket to the oven with the previously removed screw.



13. Remove and/or discard old cart.

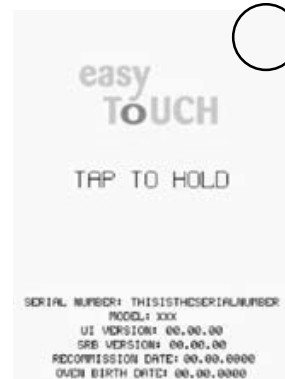
14. Connect each oven to a power supply.



**Front View**

15. On each oven enter the service mode:

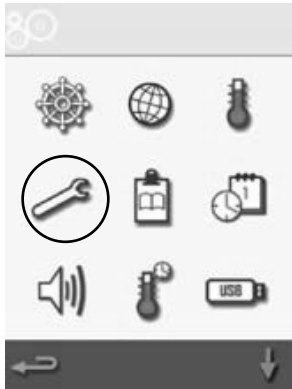
- A. On start up, tap the top right of the main menu screen to bypass oven preheat.



- B. Enter the authorized user password, for example, **MANAGER** and select **OK** to display the Settings menu.



C. Select the spanner symbol.



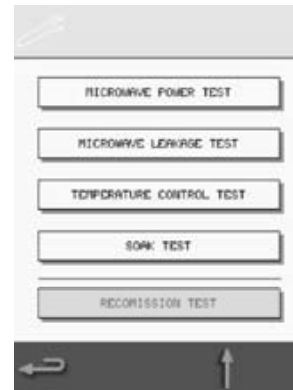
D. Enter the service password, for example SERVICE on the keyboard and select OK to display the error log, service information and test options.



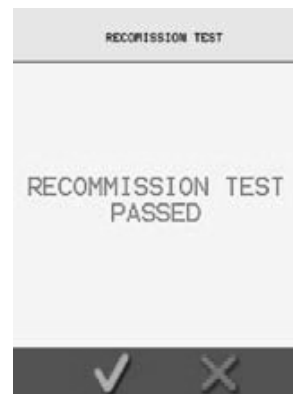
16. Perform a recommission test to ensure each oven is operational before handing back to the customer. Some of the tests have a countdown timer where failing to carry out a test within the time limit will cause a test failure and the recommission test will have to be restarted.



A. Select 'Recommission Test' from the service mode oven tests and follow the on screen instructions to perform the tests. Do not select the red 'X' unless you want to stop the test.



B. After a test has successfully passed, select OK to continue.  
 C. When all the tests have been successfully performed the display shows the Recommission test has passed, select OK to confirm.



D. In the event of a Recommission test failure, the detail will be recorded in the Error log. Any error should be rectified and the Recommission test run again.

17. Send completed form to Merrychef.

Send completed form to:

Barry Roberson

barry.roberson@manitowoc.com

1200 Airport North Office Park

Suite A & B

Fort Wayne, IN 46825

Technician Name \_\_\_\_\_

Deli Address \_\_\_\_\_

\_\_\_\_\_

\_\_\_\_\_

Position of units, bottom and top, is after the stacking kit is complete.

Bottom Oven Serial Number \_\_\_\_\_ Top Oven Serial Number \_\_\_\_\_

Bottom Oven Recommission Test Passed

Top Oven Recommission Test Passed

Notes: \_\_\_\_\_

\_\_\_\_\_

\_\_\_\_\_

\_\_\_\_\_